



MEASURING PRODUCT GUIDE



PRECISION MEASURING TOOLS

Expert range of precision measuring tools and instruments for professional trades people.

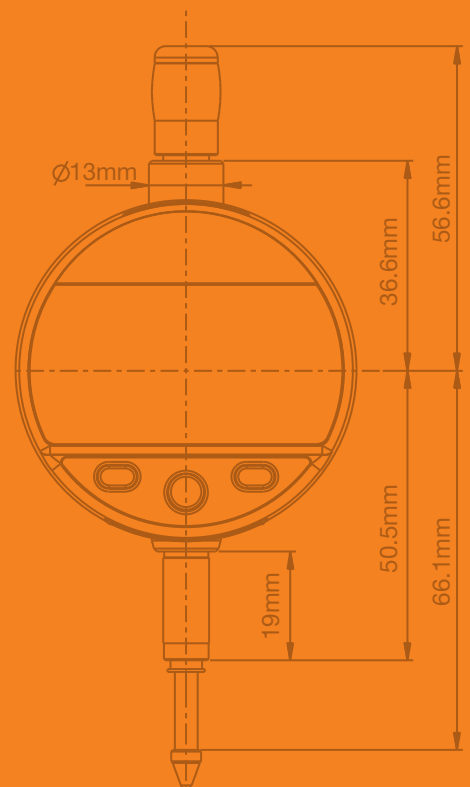
Founded in Australia more than 70 years ago, Toledo is a leading name in quality hand tools.

Trusted by professional users, Toledo is recognised for its extensive range of premium quality products and innovative product development.

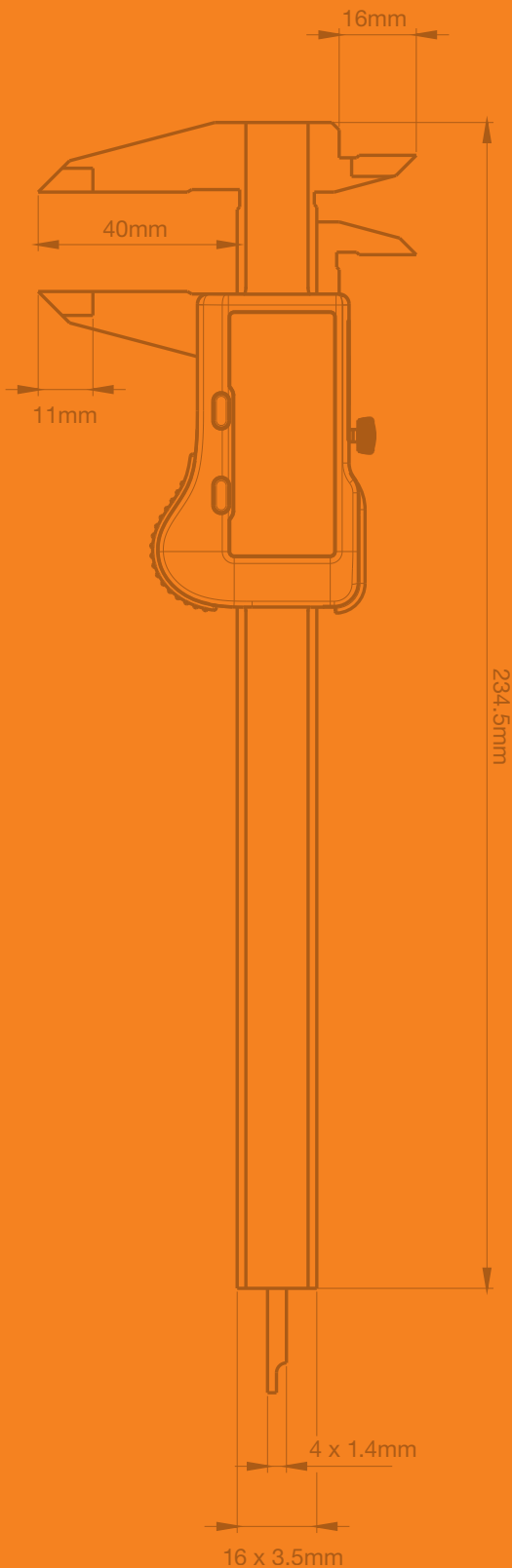
The Toledo range of precision measuring tools has grown to over 180 products. At the corner stone of the range are the famous Japanese made stainless steel rules which are the most recognised in the Australian and New Zealand markets.

Toledo is a registered brand of Tridon Australia Pty Ltd. Tridon is an Australian family owned company.

For further information please contact Tridon Customer Service as listed on the back of this catalogue or visit our website www.toledo.com.au



CONTENTS



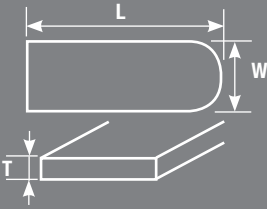
	page
Stainless Steel Rules	2
Rule Stops	8
Measuring Sets	8
Aluminium Rules (Straight Edge & Cutting)	9
Folding Rules	11
Measuring Tapes	12
Squares	13
Taper Gauges	17
Protractor	18
Crack Measure Gauge	18
Radius & Diameter Scales	19
Pocket Balances/Spring Scales	19
Measuring Wheel	20
Chalk Line	20
Calipers & Dividers	21
Levels	23
Laser Tools	27
Toledo Precision Series	29
Dial Gauges & Indicators	29
Thickness Gauges	32
Vernier Calipers	33
Micrometers	34
Magnetic Base	34
Toledo Bluetooth® Digital Precision Series	35
Vernier Caliper Digital	36
Micrometer Digital	37
Dial Indicator Digital	38
Bluetooth® Software	39
Merchandising	40

MEASURING & PRECISION

Stainless Steel Rules

- Market leading range of trade quality stainless steel rules, famous for their long history and superior quality
- Photographically etched markings provide the highest precision and accuracy
- Etched and black chrome plated graduations ensure long term visibility and protection against scuff marks and damage
- Fully heat treated and hardened Japanese stainless steel
- Satin chromed for quick and easy reading
- Accurate to Japanese Industrial Standard B7516 – grade one specifications
- The only rules that are certified by both JIS (Japan Industrial Standards) and JCSS (Japan Calibration Service System)
- Individually supplied in protective vinyl storage sleeve
- Made in Japan

Metal Rules Grade 1 of JIS B7516 - 2005 (Abstract)

Standard	Grade 1 of JIS B7516-2005						
Material	SUS420 J2 of JIS G 4305 or that equivalent or superior to this in quality						
Hardness of Material	Hv400 min						
Size  Unit: mm	Nominal Size	Overall Length (L)		Thickness (T)		Width (W)	
		Size	Tolerance	Size	Tolerance	Size	Tolerance
	150	175	+/-5mm	0.5	+/-10%	15	+/-2%
	300	335		1.0		25	
	600	640		1.2		30	
	1.000	1.050		1.5		35	
	1.500	1.565		2.0		40	
	2.000	2.065		2.0		40	
Flatness of scale face	The scale face shall be flat to a level of no hindrance to measurements						
Straightness of scale side face Unit: mm	Nominal Size	Straightness		Nominal Size		Straightness	
	150	0.23 max		1.000		0.40 max	
	300	0.26 max		1.500		0.50 max	
	600	0.32 max		2.000		0.60 max	
Straightness of scale side face	The squareness of the scale end face of a rule in respect of its scale side shall be 0.035mm max per 10mm length of the end face						
Tolerance of length Temperature at 20°C Unit: mm	Length			Tolerance			
	500 max			+/- 0.15			
	over 500 - 1.000 max			+/- 0.20			
	over 1.000 - 1.500 max			+/- 0.25			
	over 1.500 - 2.000 max			+/- 0.30			



STAINLESS STEEL RULES METRIC

Single Sided Rules METRIC

- Graduations on both upper and lower edges with numerical markings in centre only
- One square end and one round end with hanging hole
- Manufactured from stainless steel
- Made in Japan



300M

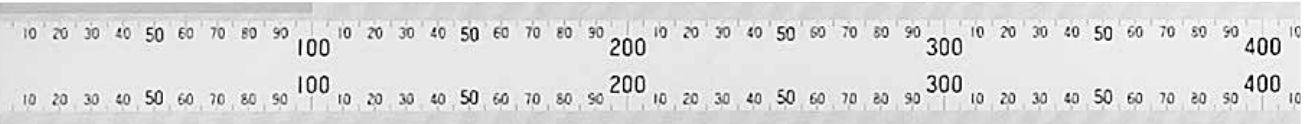
Part No.	Length (mm)	Width (mm)	Thickness (mm)	Graduations (mm)		Barcode	Carton Qty
				Upper Edge	Lower Edge		
150BM	150	15	0.5	1	1/2	9300784008850	60
300M	300	25	1.0	1	1/2	9300784008867	30
600M	600	30	1.2	1	1/2	9300784006696	20
1000M	1000	35	1.5	1	1/2	9300784006702	10

Single Sided Rules METRIC

- Graduations and numerical markings on both upper and lower edges
- One square end and one round end with hanging hole
- Manufactured from stainless steel
- Made in Japan



2000M



Close up of 2000M

Part No.	Length (mm)	Width (mm)	Thickness (mm)	Graduations (mm)		Barcode	Carton Qty
				Upper Edge	Lower Edge		
1500M	1500	40	2.0	0 – 100: 1/2, 100 – 1500: 1	1	9300784006719	5
2000M	2000	40	2.0	0 – 100: 1/2, 100 – 2000: 1	1	9300784006726	5
3000M	3000	40	3.0	0 – 100: 1/2, 100 – 3000: 1	1	9300784006733	5
4000M	4000	40	3.0	0 – 100: 1/2, 100 – 4000: 1	1	9300784017272	2

MEASURING & PRECISION

Single Sided Easy Pick-Up Rules METRIC

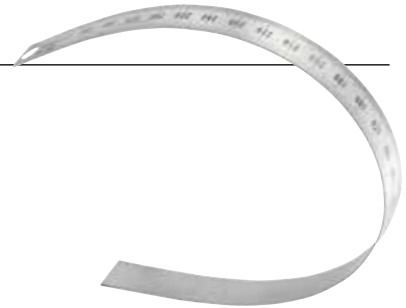
- Graduations on both upper and lower edges with numerical markings in centre only
- Easy pick-up rules feature a bent edge at one end to enable user to easily pick-up the rule from flat surfaces
- One square end and one round end with hanging hole
- Manufactured from stainless steel
- Made in Japan



Part No.	Length (mm)	Width (mm)	Thickness (mm)	Graduations (mm)		Barcode	Carton Qty
				Upper	Lower		
301956	150	15	1.0	1	1/2	9300784047675	50
301957	300	25	1.0	1	1/2	9300784047682	30

Single Sided Flexible Rules METRIC

- Graduations on both upper and lower edges with numerical markings in centre only
- Toledo flexible rules are thinner in width and thickness to allow for damage free bending
- One square end and one round end with hanging hole
- Manufactured from stainless steel
- Made in Japan

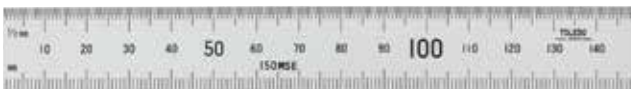


321900

Part No.	Length (mm)	Width (mm)	Thickness (mm)	Graduations (mm)		Barcode	Carton Qty
				Upper	Lower		
321900	300	15	0.5	1	1/2	9300784051740	50
321901	600	15	0.5	1	1/2	9300784051757	10
321059	1000	15	0.5	1	1	9300784058329	N/A
321060	2000	15	0.5	1	1	9300784058336	N/A

Double Sided Rules METRIC

- Front & Back: Graduations on both upper and lower edges with numerical markings in centre only
- Two square ends
- No quiet space - complete rule is graduated
- Manufactured from stainless steel
- Made in Japan



150MSE Front

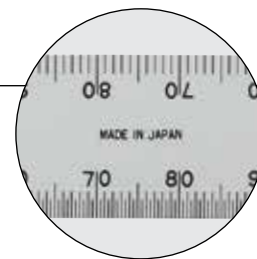
150MSE Back

Part No.	Length (mm)	Width (mm)	Thickness (mm)	Graduations Front (mm)		Graduations Back (mm)		Barcode	Carton Qty
				Upper Edge	Lower Edge	Upper Edge	Lower Edge		
150MSE	150	20	1.0	1/2	1	1/2	1	9300784006764	50
300MSE	300	28	1.0	1/2	1	1/2	1	9300784006771	50



Double Sided Rules **METRIC**

- **Front & Back: Graduations and numerical markings on both upper and lower edges.**
Numerical markings in transverse order with lower edge counting left to right and upper edge counting right to left
- Two square ends
- No quiet space - complete rule is graduated
- Manufactured from stainless steel
- Made in Japan



ST150M Front

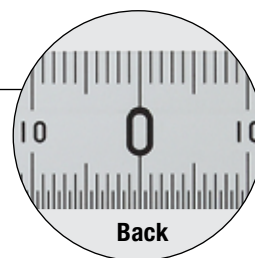


ST150M Back

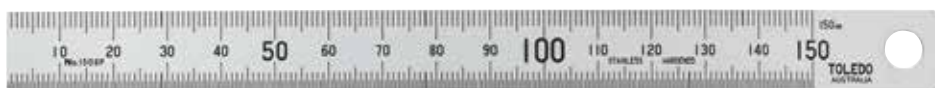
Part No.	Length (mm)	Width (mm)	Thickness (mm)	Graduations Front (mm)		Graduations Back (mm)		Barcode	Carton Qty
				Upper Edge	Lower Edge	Upper Edge	Lower Edge		
ST150M	150	20	1.0	1	1/2	1	1/2	9300784006788	50
ST300M	300	28	1.0	1	1/2	1	1/2	9300784006795	50

Double Sided Rules **METRIC**

- **Front & Back: Graduations on both upper and lower edges**
- **Numerical markings on front side in centre counting from left to right**
- **Numerical markings on reverse side in centre beginning in middle and counting outwards**
- One square end and one round end with hanging hole
- Manufactured from stainless steel
- Made in Japan



150SP Front



150SP Back



Part No.	Length (mm)	Width (mm)	Thickness (mm)	Graduations Front (mm)		Graduations Back (mm)		Barcode	Carton Qty
				Upper Edge	Lower Edge	Upper Edge	Lower Edge		
150SP	150	20	1.0	1	1/2	1	1/2	9300784006672	60
300SP	300	28	1.0	1	1/2	1	1/2	9300784006689	30

Double Sided Pocket Clip Rule **METRIC**

- **Front: Graduations on both upper and lower edges with numerical markings in centre only**
- **Back: 'Inch' to 'mm' conversion table**
- Rule with pocket clip for easy storage
- One square end and one round end
- Manufactured from stainless steel
- Made in Japan

150PCM Front



150PCM Back



Part No.	Length (mm)	Width (mm)	Thickness (mm)	Graduations Front (mm)		Back	Barcode	Carton Qty
				Upper Edge	Lower Edge			
150PCM	150	20	0.5	1/2	1	Conversion Table	9300784012567	20

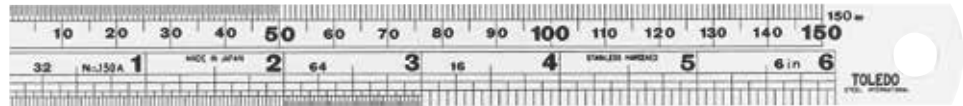
MEASURING & PRECISION

STAINLESS STEEL RULES METRIC & IMPERIAL

Single Sided Rules METRIC & IMPERIAL

- Graduations and numerical markings on both upper and lower edges
- One square end and one round end with hanging hole
- Manufactured from stainless steel
- Made in Japan

150A6



150060

Part No.	Length (mm/inch)	Width (mm)	Thickness (mm)	Graduations – Front		Barcode	Carton Qty
				Upper Edge (mm)	Lower Edge (inch)		
150A6	150/6"	15	0.5	0 - 50: 1/2 50 - 150: 1	0 - 2": 1/32" 2 - 3": 1/64" 3 - 6": 1/16"	9300784006528	60
150060	1500/60"	40	2.0	1	1/16"	9300784006573	5
200078	2000/78"	40	2.0	1	1/16"	9300784006580	5
3000118	3000/118"	40	3.0	1	1/16"	9300784006597	5

Double Sided Rules METRIC & IMPERIAL

- Imperial Front & Metric Back: Graduations on both upper and lower edges. Numerical markings in transverse order with lower edge counting left to right and upper edge counting right to left
- Two square ends
- No quiet space - complete rule is graduated
- See images for further explanation of markings and graduations
- Manufactured from stainless steel
- Made in Japan



ST150ME6 Front



ST150ME6 Back

Part No.	Length (mm/inch)	Width (mm)	Thickness (mm)	Graduations Front (inch)		Graduations Back (mm)		Barcode	Carton Qty
				Upper Edge	Lower Edge	Upper Edge	Lower Edge		
ST150ME6	150/6"	20	1.0	1/32"	1/64"	1	1/2	9300784006610	50
ST300ME12	300/12"	28	1.0	1/32"	1/64"	1	1/2	9300784006627	50



Double Sided Rules **METRIC & IMPERIAL**

- **Imperial Front:** Graduations on both upper and lower edges. Numerical markings on both upper and lower edge and in centre
- **Metric Back:** Graduations on both upper and lower edges with numerical markings in centre only
- Two square ends
- No quiet space - complete rule is graduated
- See images for further explanation of markings and graduations
- Manufactured from stainless steel
- Made in Japan



150SE Front



150SE Back

Part No.	Length (mm/inch)	Width (mm)	Thickness (mm)	Graduations Front (inch)		Graduations Back (mm)		Barcode	Carton Qty
				Upper Edge	Lower Edge	Upper Edge	Lower Edge		
150SE	150/6"	20	1.0	1/32"	1/64"	1/2	1	9300784006634	50
300MESE	300/12"	28	1.0	1/32"	1/64"	1/2	1	9300784006641	50

Double Sided Rules **METRIC & IMPERIAL**

- **Metric Front & Imperial Back:** Graduations on both upper and lower edges with numerical markings in centre only
- One square end and one rounded end with hanging hole
- Manufactured from stainless steel
- Made in Japan



30012 Front



30012 Back

Part No.	Length (mm/inch)	Width (mm)	Thickness (mm)	Graduations Front (mm)		Graduations Back (inch)		Barcode	Carton Qty
				Upper Edge	Lower Edge	Upper Edge	Lower Edge		
150B6	150/6"	20	1.0	1/2	1	0 - 2": 1/20" 2 - 3": 1/50" 3 - 6": 1/10"	0 - 2": 1/32" 2 - 3": 1/64" 3 - 6": 1/16"	9300784006535	60
30012	300/12"	28	1.0	1/2	1	0 - 3": 1/20" 3 - 4": 1/50" 4 - 12": 1/10"	0 - 3": 1/32" 3 - 4": 1/64" 4 - 12": 1/16"	9300784006542	30
60024	600/24"	30	1.2	1/2	1	0 - 3": 1/20" 3 - 4": 1/50" 4 - 24": 1/10"	0 - 3": 1/32" 3 - 4": 1/64" 4 - 24": 1/16"	9300784006559	20
100036	1000/36"	35	1.5	1/2	1	0 - 3": 1/20" 3 - 4": 1/50" 4 - 36": 1/10"	0 - 3": 1/32" 3 - 4": 1/64" 4 - 36": 1/16"	9300784006566	10

MEASURING & PRECISION

Rule Stops

- Handy tool increases the practicality of Toledo stainless steel rules
- Provides an easy way to make repeated accurate measurements
- Attaches to rule with locking screw to enable easier measurement work and additional applications such as depth taking, drafting and lay out work
- Precision machined jaws allow for complete accuracy
- To suit Toledo rules only



Part No.	To Suit Rule Length (mm)	Barcode	Carton Qty
321061	150	9300784057209	10
321062	300	9300784057216	10
321063	600	9300784057223	10
321064	1000	9300784057230	5
321065	1500 - 2000	9300784057247	5



MEASURING SETS

Rule Set

- Contains two popular 150mm and 300mm rules
- Manufactured from stainless steel
- Supplied in foam storage tray suitable for all tool boxes
- Made in Japan



Part No.	Description	Barcode
TRS01	Two popular 150mm and 300mm rules	9300784045923

TRS01 Contents

Part No.	Length (mm)	Width (mm)	Thickness (mm)	Graduations Front (mm)		Graduations Back (inch)	
				Upper Edge	Lower Edge	Upper Edge	Lower Edge
150BM	150	20	0.5	1/2	1	Blank	Blank
30012	300	28	1.0	1/2	1	0 - 3": 1/20" 3 - 4": 1/50" 4 - 12": 1/10"	0 - 3": 1/32" 3 - 4": 1/64" 4 - 12": 1/16"



Professional Measuring Sets

- Professional measuring sets for ultimate precision and accuracy
- Heat treated and hardened Japanese stainless steel with photographically etched markings
- Satin chromed for easy reading and identification
- Accurate to Japanese Industrial Standard B 7516 – Grade 1 specifications
- Supplied in foam storage trays suitable for all tool boxes
- Made in Japan

Part No.	Pieces	Barcode	Carton Qty
321903	3	9300784056394	60
321904	5	9300784056400	N/A



321903 Contents

Part No.	Description	Size
150B6	Rule - Metric & Imperial	150mm / 6"
301959	Square - Metric	150 x 75mm
700A	Taper Gauge - Metric	0 - 15mm

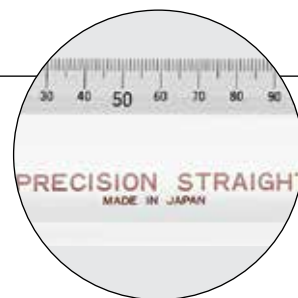
321904 Contents

Part No.	Description	Size
301955	Protractor with Rule	180° / 100mm
300M	Rule - Metric	300mm
50150	Spring Divider - Solid Nut	150mm
321015	Square - Metric	300 x 150mm
700A	Taper Gauge - Metric	0 - 15mm
N/A	Scriber - Pen Style with Pocket Clip	135mm

ALUMINIUM RULES

Single Sided Straight Edge Rules **METRIC**

- Features one straight edge and one graduated edge
- Two square ends with one hanging hole
- Manufactured from aluminium
- Made in Japan

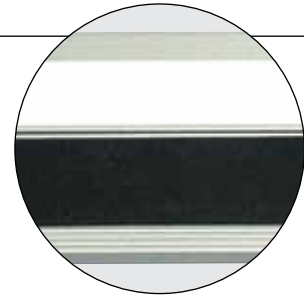


SE600

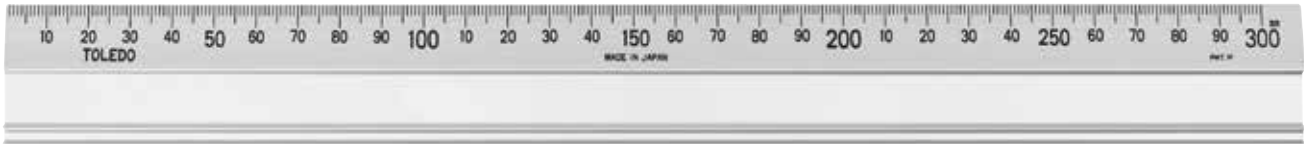
Part No.	Length (mm)	Width (mm)	Thickness (mm)	Graduations (mm)		Barcode	Carton Qty
				Upper Edge	Lower Edge		
SE600	600	50	5.0	1	Blank	9300784006801	40
SE1000	1000	50	5.0	1	Blank	9300784006818	10
SE1500	1500	50	5.0	1	Blank	9300784006825	10
SE2000	2000	50	5.0	1	Blank	9300784006832	10

Single Sided Straight Edge Rules Sponge Back METRIC

- Sponge back provides anti-slip performance making measuring and alignment drawing easy and accurate. Sponge back also protects against possible damage to the work surface
- Features one straight edge and one graduated edge
- Two square ends with one hanging hole
- Manufactured from aluminium
- Made in Japan



Reverse side. Sponge back



AR300

Part No.	Length (mm)	Width (mm)	Thickness (mm)	Graduations (mm)		Barcode	Carton Qty
				Upper Edge	Lower Edge		
AR300	300	35	5.0	1	Blank	9300784006481	20
AR600	600	35	5.0	1	Blank	9300784006504	10
AR1000	1000	35	5.0	1	Blank	9300784006511	10

Single Sided Cutting Rules METRIC

- Inbuilt handle provides ease of use and maximum safety when cutting
- Lightweight aluminium construction
- Handy for all drafting and marking out applications on walls, ceilings and floors
- Wear resistant UV cured screen printing
- Accuracy: 0.7mm per metre



322001



Part No.	Length (mm)	Width (mm)	Thickness (mm)		Graduations (mm)		Barcode	Carton Qty
			Blade Only	Overall (w/Handle)	Upper Edge	Lower Edge		
322001	500	60	6.5	46	1	1	9300784057872	10
322002	600	60	6.5	46	1	1	9300784057889	10
322003	800	60	6.5	46	1	1	9300784057896	10
322004	1000	60	6.5	46	1	1	9300784057902	10
322005	1200	60	6.5	46	1	1	9300784057919	10



FOLDING RULES

Single Sided Folding Rules **METRIC**

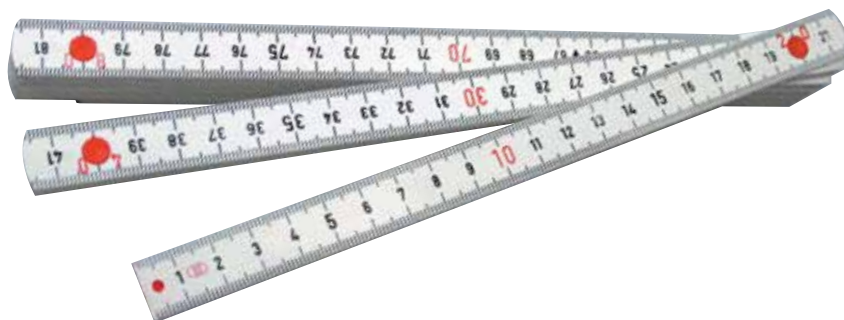
- Graduations on both upper and lower edges with numerical markings in centre only
- Folding rules are precisely manufactured to maximise reliability and smooth operation
- Blades are locked into place when straightened via an accurately machined rivet function
- Blades straighten and align perfectly to maintain accurate graduations and measurements
- One square end and one round end when not fully extended. Square end to square end at full extension
- Manufactured from stainless steel
- Made in Japan



Part No.	Description	Overall Length Max. (mm)	Blade Length Each (mm)	Width (mm)	Thickness (mm)	Graduations (mm)		Barcode	Carton Qty
						Upper Edge	Lower Edge		
600FM	2 blade/1 fold	600	315	20	0.7	1	1/2	9300784006757	20
1000FM	6 blade/5 fold	1000	175	15	0.5	1	1/2	9300784036891	10

Double Sided Folding Rule Fibreglass **METRIC**

- **Front & Back: Graduations in millimetres on lower and upper edges with numerical markings in centre only**
- Broken into 220mm segments connected via a reliable and sturdy fix joint mechanism which enables extensions of 90° or 180° to firmly lock into place
- Ideal for electrical work
- Manufactured from light, durable and insulating fibreglass
- Made in Switzerland



Part No.	Overall Length (mm)	Barcode	Carton Qty
321902	2000	9300784051818	5

MEASURING & PRECISION

MEASURING TAPES

Measuring Tapes Steel Wide Blade **HEAVY DUTY**

- Tape measures are designed for heavy duty use
- Stainless steel shell and nylon coated blade for maximum strength and impact resistance
- Durable rubber casing protects against shock impact and provides maximum comfort and grip
- Wide robust steel blades and strong durable springs for on-going blade recall
- Firm holding stop lock function prevents any blade creep when locked
- Shock absorbing blade return bumper and belt clip for easy down time storage
- Available in metric only or metric and imperial



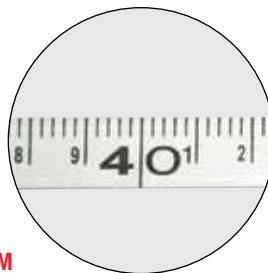
Part No.	Description	Hook	Length (m/ft)	Width (mm)	Graduations (Back – Blank)		Barcode	Carton Qty
					Lower Edge (mm)	Upper Edge (mm or inch)		
321905	Metric	Normal	5	33	1	1	9300784051764	6
321906	Metric	Normal	8	33	1	1	9300784051771	6
321907	Metric & Imperial	Magnetic	8/27	32	1	1/16"	9300784051788	6
Counter Top Merchandiser								
TMT01	4 x 321906	Normal	8	33	1	1	9300784054895	N/A
	4 x 321907	Magnetic	8/27	32	1	1/16"		

Measuring Tape Fibreglass **METRIC & IMPERIAL**

- Reinforced, double coated fibreglass tape resistant to markings and abrasions
- Flat lay 13mm wide blade ensures ease of use
- Heavy duty fibreglass will not rot, corrode or distort
- Non-conductive/sparking fibreglass protects user against electrical shock and is suitable for any worksite
- Quick rewind function for fast and easy tape retraction
- Double sided graduation markings



TF30M



322220

Part No.	Description	Length (m)	Width (mm)	Thickness (mm)	Graduations Width (mm or inch)		Barcode	Carton Qty
					Front	Back		
TF30M	Metric	30	13	0.5	2	2	9300784000946	40
322220	Metric & Imperial	50	13	0.5	2	1/8"	9300784058244	10



STAINLESS STEEL SQUARES

- Squares are important for setting and performing accurate measurements and cuts as well as checking the square fit of glue joins and frames
- Also essential for ensuring tool faces, blades, fences and sanding blocks are accurately square
- Complete range including Carpenter's, Combination, Engineer's and Mini squares

Carpenter's Mitre Squares **METRIC & IMPERIAL**

- Used for producing right angles in carpentry
- Stainless steel blade with reinforced plastic handle
- Graduated blade with metric and imperial markings
- Features hanger hole in blade
- Suitable for use as inner or outer try square, mitre square, horizontal, 45° marking gauge and rule
- Manufactured from stainless steel
- Made in Japan



Part No.	Length (mm/inch)	Thickness (mm)	Graduations		Barcode	Carton Qty
			Upper Edge (mm)	Lower Edge (inch)		
MS150	150/6"	1.0	1	1/16"	9300784003589	10
MS200	200/8"	1.0	1	1/16"	9300784003596	10
MS250	250/10"	1.0	1	1/16"	9300784003602	10
MS300	300/12"	1.0	1	1/16"	9300784003619	10

Carpenter's/ Framing Square 600x400mm **METRIC**

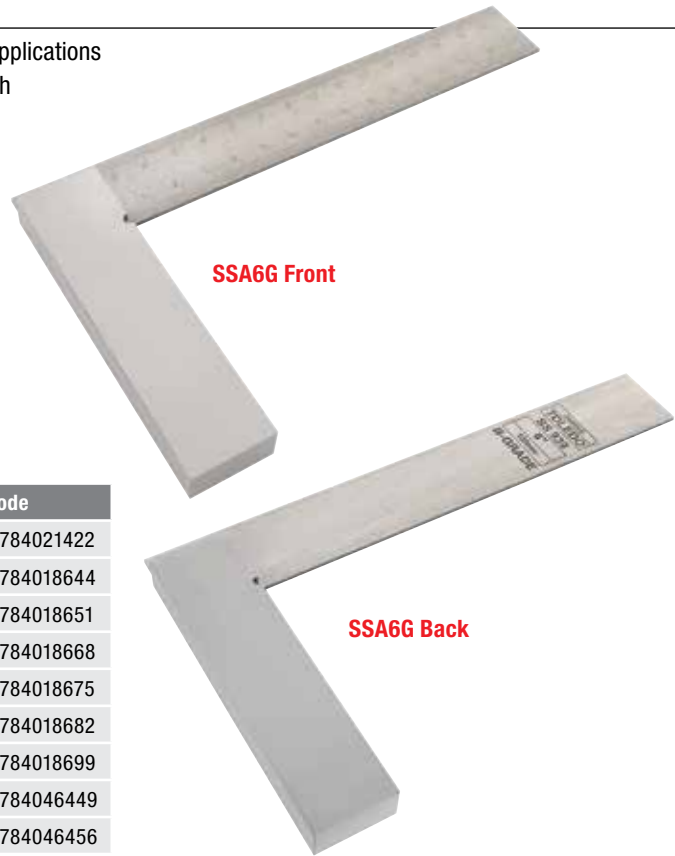
- Heavy duty carbon steel frame with black painted coating
- Durable high visibility easy-read silkscreen printing
- Single punch easy hang hole
- Double sided markings



Part No.	Dimensions (mm)	Graduations Front (mm)		Barcode	Carton Qty
		Upper Edge	Lower Edge		
322453	600 x 400	1	1	9300784059135	10

Engineering Squares

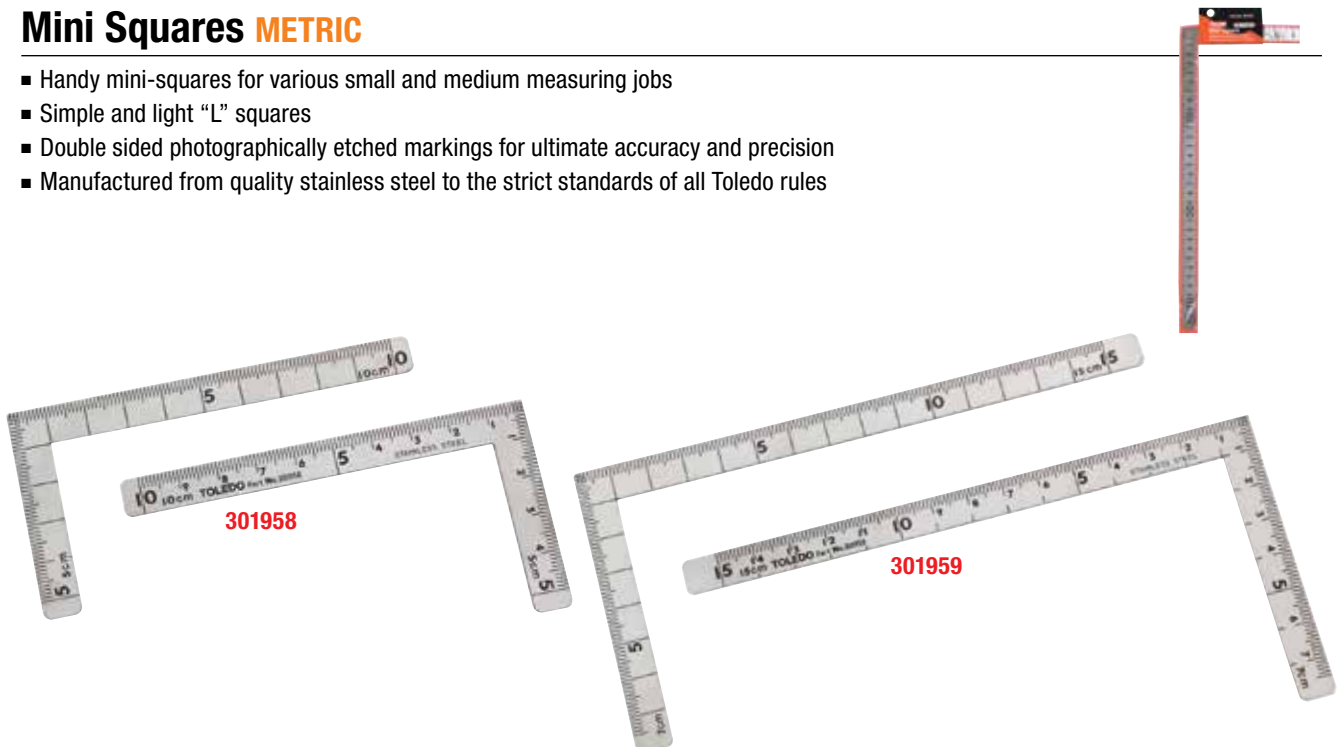
- Used for producing right angles in carpentry and engineering applications
- Available with blade lengths of 50mm/2 inch to 300mm/12 inch
- Spring steel blade and handle



Part No.	Style	Blade Length (mm)	Barcode
SSA2	Non-Graduated	50	9300784021422
SSA3	Non-Graduated	75	9300784018644
SSA4	Non-Graduated	100	9300784018651
SSA6	Non-Graduated	150	9300784018668
SSA8	Non-Graduated	200	9300784018675
SSA10	Non-Graduated	250	9300784018682
SSA12	Non-Graduated	300	9300784018699
SSA4G	Graduated	100	9300784046449
SSA6G	Graduated	150	9300784046456

Mini Squares **METRIC**

- Handy mini-squares for various small and medium measuring jobs
- Simple and light "L" squares
- Double sided photographically etched markings for ultimate accuracy and precision
- Manufactured from quality stainless steel to the strict standards of all Toledo rules

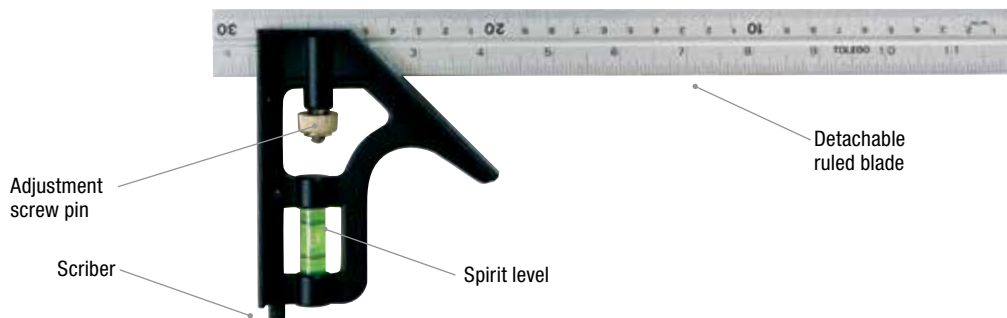


Part No.	Size (mm)	Width (mm)	Thickness (mm)	Graduations Front (mm)		Graduations Back (mm)		Barcode	Carton Qty
				Upper Edge	Lower Edge	Upper Edge	Lower Edge		
301958	100 x 50	10	1.2	1	Blank	1	10	9300784047699	100
301959	150 x 75	10	1.2	1	10	1	10	9300784047705	60
321015	300 x 150	15	1.2	1	5	1	5	9300784051801	140



Combination Square **METRIC & IMPERIAL**

- Popular multi-application tool with versatile functionality
- Suitable for use as inner or outer try square, mitre square, horizontal, 45° and plumb level, depth and marking gauge and rule
- Detachable ruled blade (300mm / 12")
- Spirit level for checking level and plumb
- Lidded scriber for marking work
- Suitable for multiple interchangeable heads including protractor and centring heads
- Useful tool for transferring duplicate measurements
- Steel blade and body



Part No.	Graduations Front		Graduations Back		Barcode	Carton Qty
	Upper Edge (mm)	Lower Edge (inch)	Upper Edge (mm)	Lower Edge (inch)		
CS30012	1	1/16"	1	1/32"	9300784009093	12

Combination Square Set **METRIC & IMPERIAL**

- Versatile and useful multi-application set for a wide range of measuring and lay out jobs
- Suitable for use as a rule, spirit level, plumb level, 45° level, try square (internal and external), height/depth gauge, marking gauge and scriber
- Common applications include jobs in woodworking, metal working and stonemasonry
- Black baked enamel finish (except rule)
- Stainless steel graduated rule
- Supplied in high grade EVA foam storage tray



Features & Applications

Detachable Rule

- All traditional length and dimension measurements
- Hardened stainless steel with precision milled edges
- Double sided metric and imperial 300mm/12"
- Metric graduation: 1mm
- Imperial graduation: 1/32" & 1/16"

Square Head with Scriber & Spirit Level

- Lay out and checking of 45° and 90° angles
- Checking level and plumb
- Locking bolt for firm attachment to blade
- Detachable scriber for marking

Protractor Head with Spirit Level

- Setting, measuring and checking of angles
- Double 180° scale
- Locking bolt for firm attachment to blade

Centre Head

- Allows centre lines to be obtained
- Checking the centre of round jobs
- Enables depth measurement
- Locking bolt for firm attachment to blade

Part No.	Graduations			Barcode	Carton Qty
	Rule (mm/inch)	Square	Protractor		
322210	300/12"	45° & 90°	180°	9300784058190	6

Rafter Squares 7"

- Ideal for marking and cutting of rafters, stairs or any basic angle
- Tri-square, mitre square, protractor, line scribe and saw guide all in one tool
- Moulded-in conversion tables that never fade or rub off
- Marked with degree graduations for fast, easy layout
- Square body has a flat base on one side for easy 90° vertical measuring
- Commonly used in carpentry applications



Part No.	Material	Barcode	Carton Qty
322015	'Ergocast' plastic	9300784058060	10
322017	Aluminium	9300784059142	10

Circular Saw Guide Square

- Comfortable, sturdy and simple "L" angled cutting guide tool
- Ideal for use as a circular saw guide or for general measuring out work
- Rubber inter-mould to firmly grip work surface while avoiding damage
- Stainless steel guide frame for accurate line marking and 150mm graduated straight edge
- Right angle accuracy within 0.3mm for 150mm
- Double sided function is suitable for both left and right handed users
- Manufactured from die cast aluminium

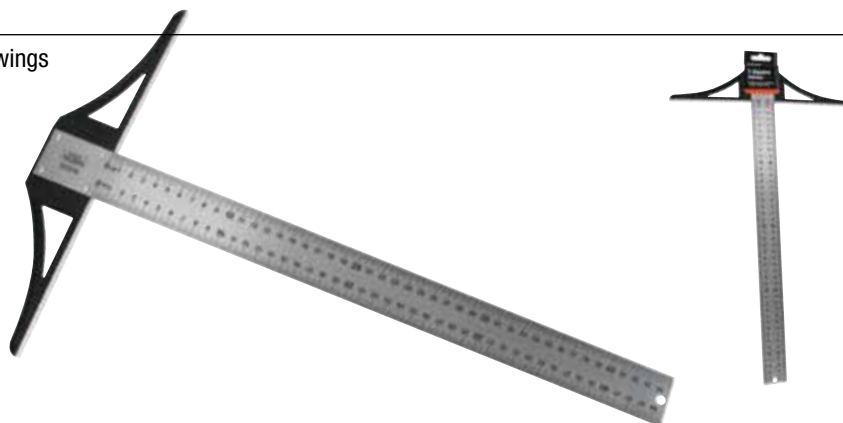


Part No.	Accuracy	Barcode	Carton Qty
321930	0.3mm for 150mm	9300784051795	8



T-Squares

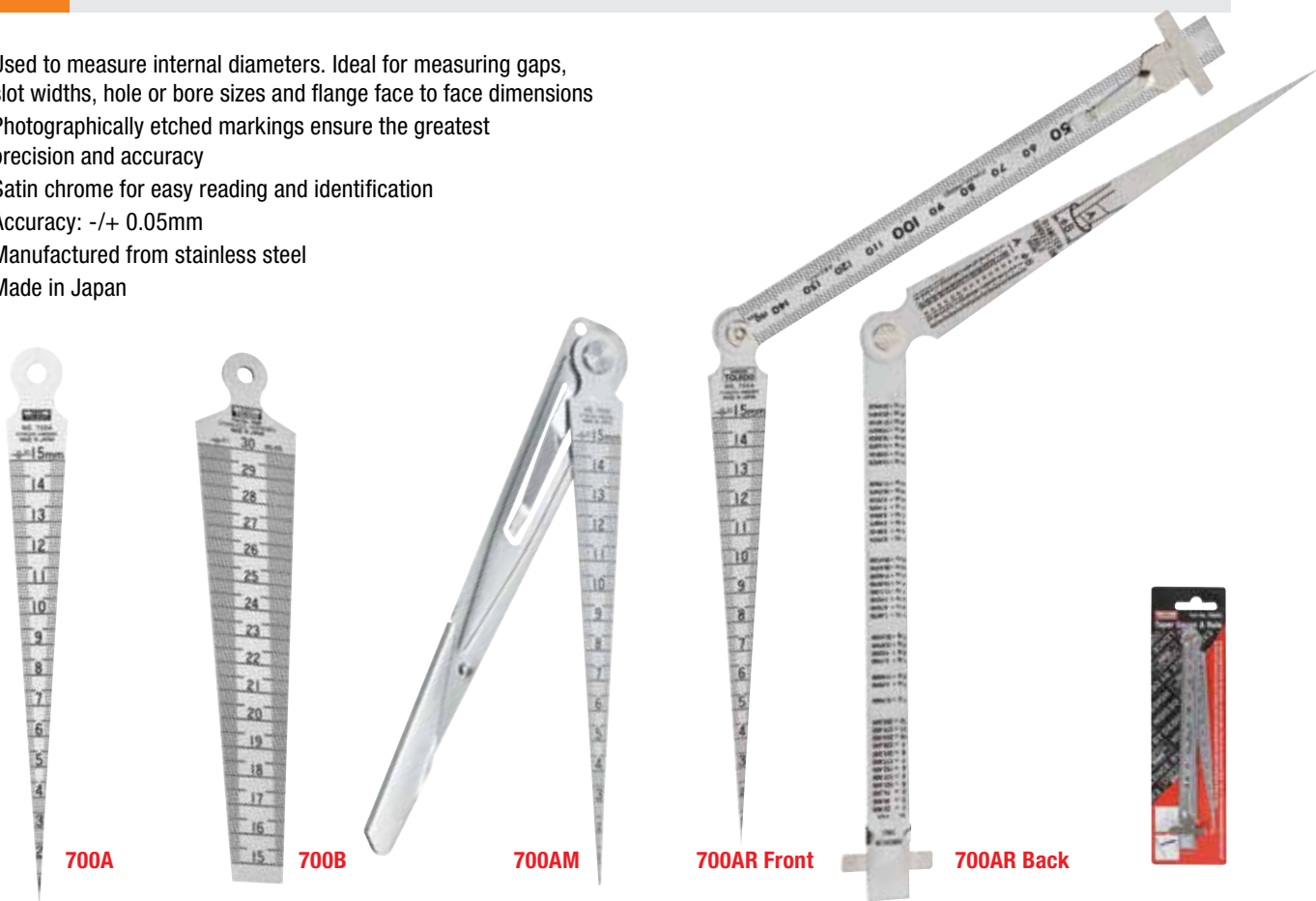
- Ideal tool for all measuring and technical drawings
- Ideal for applications requiring accurate horizontal or vertical lines
- Aluminium construction with special UV resistant ink printed graduations and durable powder coated T-head



Part No.	Length (mm)	Width (mm)	Thickness (mm)	Graduations (mm)		Barcode	Carton Qty
				Upper Edge	Lower Edge		
322215	450	38	1.2	1	1	9300784058220	12
322216	900	38	1.2	1	1	9300784058237	12

TAPER GAUGES

- Used to measure internal diameters. Ideal for measuring gaps, slot widths, hole or bore sizes and flange face to face dimensions
- Photographically etched markings ensure the greatest precision and accuracy
- Satin chrome for easy reading and identification
- Accuracy: $\pm 0.05\text{mm}$
- Manufactured from stainless steel
- Made in Japan

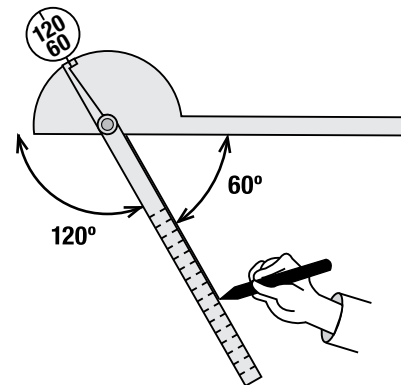


Part No.	Size Range (mm)	Description	Barcode	Carton Qty
700A	1 - 15	Taper gauge with hanger hole	9300784018217	10
700B	15 - 30	Taper gauge with hanger hole	9300784050965	10
700AM	1 - 15	Taper gauge with hanger hole, metal case & pocket clip	9300784047712	10
700AR	1 - 15	Taper gauge with 150mm rule	9312550192687	10

MEASURING & PRECISION

PROTRACTOR 180°

- For accurate angle, depth and length measurements
- 180° protractor and 100mm rule
- Photographically etched markings for ultimate precision and accuracy
- Deep etched with black chrome plating for long term visibility and service life
- Stainless steel with satin chrome finish which is non-glare and easy to read



Part No.	Description	Barcode	Carton Qty
301955	180° Protractor & 100mm Rule	9300784047668	10

CRACK MEASURE GAUGE

- Handy tool designed to check the width of cracks in concrete walls and foundations
- Small pocket size allows for complete and easy portability
- Built in 80mm rule
- Manufactured from hardened stainless steel
- Made in Japan



Part No.	Crack Width Range (mm)	Rule Length (mm)	Rule Graduation (mm)	Overall Width (mm)	Overall Thickness (mm)	Barcode	Carton Qty
321066	0.1 - 1.4	80	1/2	55	0.3	9300784057254	50



RADIUS & DIAMETER SCALES

- Unique precision tools designed to measure the radius and diameter of objects
- Centre cut out to measure diameter, side cuts to measure radius and 150mm metric rule for length
- Pocket size available in two different size ranges
- Manufactured from hardened Japanese stainless steel
- Made in Japan



Part No.	Radius Range (mm)	Radius Graduations (mm)	Diameter Range (mm)	Diameter Graduations (mm)	Rule Range (mm)	Rule Graduations (mm)	Overall Thickness (mm)	Overall Width (mm)	Overall Length (mm)	Barcode	Carton Qty
321068	0.5 - 7	1	0.5 - 6	0.1	0 - 150	0.5	0.5	15	175	9300784057278	10
321069	8 - 15	1	0.5 - 6	0.1	0 - 150	0.5	0.5	15	175	9300784057285	10

POCKET BALANCES/SPRING SCALES

- Toledo pocket balances are well respected as a quality option
- Manufactured in Germany they represent premium quality for the professional
- Protective coated brass face and glossy nickel plated hook and ring ensures corrosion resistance and long service life
- Dual scale readings in Kilograms and Pounds
- Made in Germany



Part No.	Capacity		Scale	Barcode
	kg	(Lbs)		
100A	12.5	(25)	250 (0.5)	9300784008409
100B	23.0	(50)	500 (1.0)	9300784008416
100C	46.0	(100)	500 (1.0)	9300784008423

MEASURING & PRECISION

MEASURING WHEEL

- Small and compact unit with telescopic handle
- Easy to transport and ideal for “on the go” use
- Easy to read 5 digit counter with 10cm and 1m increments
- Column 1 (white) gives 10cm read outs, while the others (black) give 1m increment read outs
- Telescopic aluminium handle 450-950mm
- High traction dual tyres for steady and firm glide measurement
- Heavy duty ABS plastic housing
- Measurement range up to 10,000 metres
- Ideal for construction, plumbing works, engineering works, measurement of properties, measurement of interior works and landscaping



Part No.	Wheel Diameter (mm)	Range (m)	Telescopic Handle (mm)	Accuracy	Weight (Kg)	Barcode
322551	100	10,000	450-950	±1cm per 100cm	0.345	9300784058572

CHALK LINE 30M

- Break-resistant and powder absorbent chalk line string
- Plumb-bob design with tough stainless steel casing and rubber moulding
- Detachable line level clicks into chalk line
- 6X faster rewind with string lock mechanism
- All-in-one end hook: holds on nails and ledges, tacks into drywall
- Clean chalk refill – won't spill
- 113g (4oz) capacity and 30m (100") line



Part No.	Range (m)	Barcode	Carton Qty
322550	30	9300784058466	10



CALIPERS & DIVIDERS

Solid/Quick Acting Nut Calipers & Dividers

- Spring calipers and dividers designed for reliable, quick and accurate measurements during layout procedures and jobs
- Manufactured in Japan to strict standards to ensure accuracy and precision
- Legs pivot on a roller and are tensioned via bow spring
- Manufactured from stainless steel and feature a spring joint via a quick acting nut or solid screw nut
- Quick acting nut moves outwards and inwards quickly and easily without twisting/screwing
- Solid nut requires progressive twisting to wind in and out via the threaded tension bar
- Made in Japan



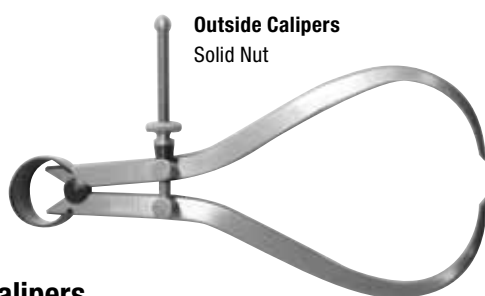
Inside Calipers
Solid Nut



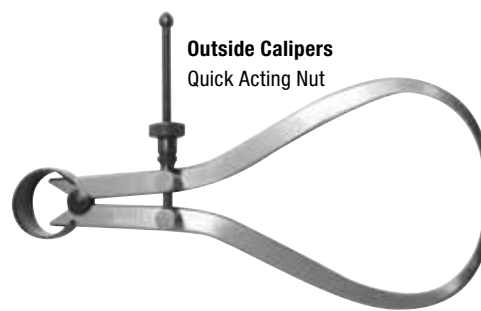
Inside Calipers
Quick Acting Nut

Inside Calipers

Part No.	Description	Length (mm)	Jaw Opening Max. (mm)	Barcode	Carton Qty
51100	Solid nut	100	100	9300784006115	10
51150	Solid nut	150	150	9300784006122	5
51200	Solid nut	200	200	9300784006139	5
51250	Solid nut	250	250	9300784006146	10
51300	Solid nut	300	300	9300784006153	10
54100	Quick acting nut	100	100	9300784006269	10
54150	Quick acting nut	150	150	9300784006276	5
54200	Quick acting nut	200	200	9300784006283	10
54250	Quick acting nut	250	250	9300784006290	10
54300	Quick acting nut	300	300	9300784006306	10



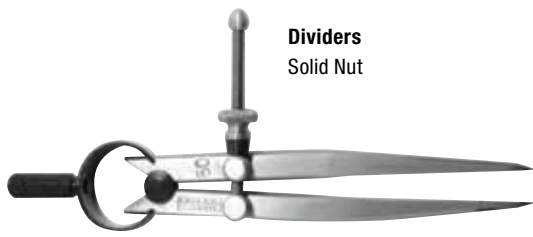
Outside Calipers
Solid Nut



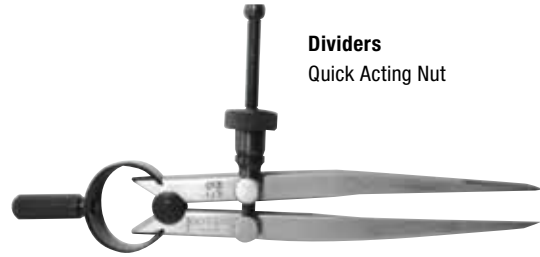
Outside Calipers
Quick Acting Nut

Outside Calipers

Part No.	Description	Length (mm)	Jaw Opening Max. (mm)	Barcode	Carton Qty
52100	Solid nut	100	100	9300784006160	10
52150	Solid nut	150	150	9300784006177	10
52200	Solid nut	200	200	9300784006184	10
52250	Solid nut	250	250	9300784006191	10
52300	Solid nut	300	300	9300784006207	10
55100	Quick acting nut	100	100	9300784006313	10
55150	Quick acting nut	150	150	9300784006320	5
55200	Quick acting nut	200	200	9300784006337	10
55250	Quick acting nut	250	250	9300784006344	10
55300	Quick acting nut	300	300	9300784006351	10



Dividers
Solid Nut



Dividers
Quick Acting Nut

Dividers

Part No.	Description	Length (mm)	Jaw Opening Max. (mm)	Barcode	Carton Qty
50100	Solid nut	100	100	9300784006061	10
50150	Solid nut	150	150	9300784006078	5
50200	Solid nut	200	200	9300784006085	5
50250	Solid nut	250	250	9300784006092	10
50300	Solid nut	300	300	9300784006108	10
53100	Quick acting nut	100	100	9300784006214	10
53150	Quick acting nut	150	150	9300784006221	5
53200	Quick acting nut	200	200	9300784006238	10
53250	Quick acting nut	250	250	9300784006245	10
53300	Quick acting nut	300	300	9300784006252	10

Firm Joint Calipers

- Precision measuring tools for obtaining quick and accurate measurements during layout procedures and jobs
- Firm joint allows for quick and efficient measuring
- Firm joint is stable and stiff to hold measurements
- Manufactured from hardened Japanese carbon steel
- Made in Japan



Inside Calipers



Outside Calipers

Inside Calipers

Part No.	Range (mm)	Length (mm)	Width (mm)	Thickness (mm)	Barcode	Carton Qty
321070	0-150	165	20	10	9300784057308	10
321071	0-200	210	12	10	9300784057315	N/A

Outside Calipers

Part No.	Range (mm)	Length (mm)	Width (mm)	Thickness (mm)	Barcode	Carton Qty
321072	0-150	160	100	10	9300784057322	10
321073	0-200	210	120	10	9300784057339	N/A



Fixed Joint Caliper (Jenny)

- Fixed joint caliper also known as a 'Jenny' caliper
- Used to locate the centre of a round or square section of steel
- Suitable for setting a constant distance from an edge
- One leg holds an adjustable point and the other end a locating lug
- Made in Japan



Part No.	Size (mm)	Barcode	Carton Qty
321074	150	9300784058725	10

LEVELS

Box Levels Magnetic

- Reinforced aluminium frame
- Epoxy locked shockproof vials
- Precision milled surfaces for accuracy (up to 1200mm)
- Enlarged easy read horizontal vial (33% bigger)
- Unique side-view vial provides accurate plumb reading
- Removable shockproof end caps
- Powerful rare earth magnets
- V-groove for pipes and curved surfaces
- Non-scratching wall grab tabs
- High accuracy of 0.5mm/m

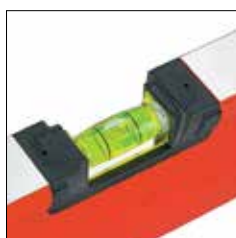
NTMM08
Merchandise 9Pc.
available see p.42



Wall Grab Tabs



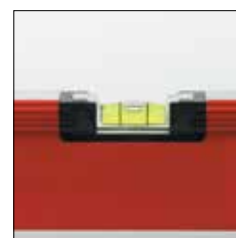
Side-View Vial



Enlarged Vial



V-Groove



Shockproof Vial

Part No.	Length (mm)	Thickness (mm)	Height (mm)	Barcode	Carton Qty
322060	600	31	66	9300784057926	10
322090	900	31	66	9300784057933	10
322120	1200	31	66	9300784057940	10
322180	1800	31	66	9300784057957	10
322240	2400	31	66	9300784057964	10

Box Levels Digital Magnetic

- Precision angle measurement to 0.05 degrees
- Individually calibrated high accuracy vials 0.5mm/m
- Hold function
- Memory store and recall (9 measurements)
- Mode selection: Degree/Percentage/Pitch
- Easy user-recalibration
- Flip screen for upright read out
- Buzzer at 0°, 45°, 90°
- Rainproof and dust resistant
- Battery indicator
- Tilted LCD screen with LED backlight
- Auto-Off (10 minutes)
- Battery operated: 9V (not included)



NTMM08
Merchandise 9Pc.
available see p.42



Accuracy



UV Resistant



Shockproof



Side-View



Magnetic



Battery Operated
9V
Not included



Shockproof
Vial



Conforms to CE
safety regulations

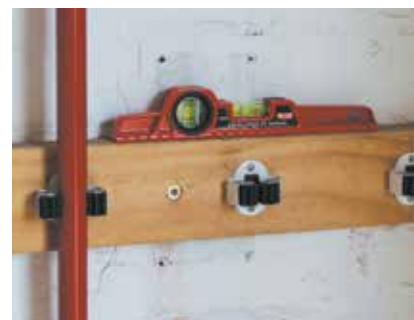


Part No.	Length (mm)	Resolution	Width (mm)	Height (mm)	Barcode	Carton Qty
322050	600	0.05°	25	60	9300784057971	10
322051	1200	0.05°	25	60	9300784057988	10

Torpedo Level Magnetic

- Handy portable lightweight level ideal for all big and small measuring jobs
- Features two solid shockproof horizontal and vertical acrylic vials
- UV resistant material that endures the effects of direct sunlight
- Small portable size fits perfectly into tool boxes, belts, drawers and pockets
- Precision milled flat surface with dual magnets
- Accuracy: < 0.5mm/m (0.0005 in/in.)

NTMM07
Merchandise 12Pc.
available see p.44



Part No.	Length (mm)	Width (mm)	Thickness (mm)	Barcode	Carton Qty
322010	250	45	22	9300784057995	10



Pipe Level Set 5 Piece

- Handy five piece pipe level set suitable for standard metal, copper and plastic PVC pipes
- Perfect for all plumbing and electrical pipe/conduit work
- Features a spring loaded design for easy click on attachment
- Flexible polymer construction ensures the tool maintains shape and provides a tight and secure fit every time
- Two easy to read injection moulded acrylic vials - one horizontal and one vertical
- Covers pipe sizes 1/2" to 2"



Part No.	Sizes (inch)	Barcode	Carton Qty
322011	1/2", 3/4", 1", 1 1/4"-1 1/2", 2"	9300784058008	6

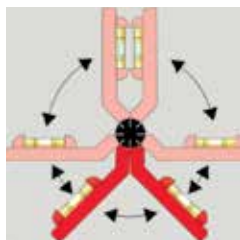
Nominal Sizes	IPS Steel Stainless Steel PVC Plastic		CTS Copper		PP Plastic
	Inches	mm	Inches	mm	mm
1/2"	1/2"	15	3/4"	20	25
3/4"	3/4"	20	1"	25	32
1"	1"	25	1 1/4"-1 1/2"	32-40	40
1 1/4"-1 1/2"	1 1/4"-1 1/2"	32-40	-	-	50
2"	2"	50	-	-	63

Exacta Post Level Magnetic & Elastic Strap

- Handy tool designed to check the level for all posts, pipes and signs
- Folds closed and opens flat with a click-lock every 15°
- Four powerful magnets for metal surfaces
- Inbuilt adjustable elastic strap for all non-magnetic surfaces



NTMM05
Merchandiser 6Pc.
available see p.44



Part No.	Length (mm)	Width (mm)	Thickness (mm)	Barcode	Carton Qty
322012	130	190	30	9300784058015	10

Mini Level Magnetic

- Small, lightweight and durable magnetic level perfect for a wide range of applications
- Shockproof solid acrylic vial provides a quick and accurate reading
- Lightweight aluminium box profile fits easily into any tool belt or pocket
- Rubber shockproof end caps
- Rare earth magnets
- Accuracy: 0.5mm/m



NTMM06
Merchandise 10Pc.
available see p.44

Part No.	Length (mm)	Width (mm)	Thickness (mm)	Barcode	Carton Qty
322013	20	100	7	9300784058022	10

Cross Level Mini Magnetic

- Handy multi-purpose magnetic level for various applications
- Solid acrylic horizontal and vertical vials
- Pre-cast holes for easy attachment to anything
- Sensitivity: 30arc/min.



Part No.	Height (mm)	Width (mm)	Thickness (mm)	Barcode	Carton Qty
322014	60	53	15	9300784058039	10

Bulls-Eye Level Mini Magnetic

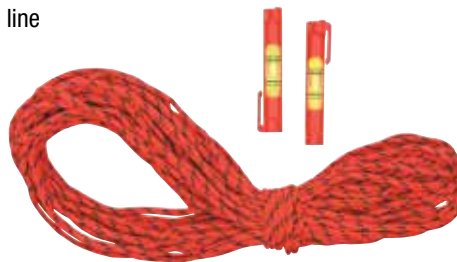
- Multi-purpose general level provides measurement in all directions
- Pre-cast holes for easy attachment to a range of various objects
- Lightweight easy to use with clear vial
- Useful for many applications including home appliances
E.g. desk, fridge, washer, dryer etc.



Part No.	Diameter (mm)	Thickness (mm)	Sensitivity	Barcode	Carton Qty
322451	42	12	30 arc/min	9300784059159	10

Line Level 20 metres

- Includes two line levels with pocket clips and 20 metre line
- Lightweight levels eliminate sag
- V-groove for pipe work



Part No.	Line Length (m)	Line Thickness (mm)	Barcode	Carton Qty
322455	20	3.5	9300784059166	10



T-Bevel with Level

- Two in one tool - handy level in handle and graduated stainless bevel
- Easy-to-read vial in handle
- Built-in 3/16" (5mm) trim gauge on side and bottom
- Angle markings on handle (15°, 30°, 45°, 60°)
- Double sided, etched stainless steel blade and bolt with metric and imperial graduations



Part No.	Blade Graduations	Blade Thickness (mm)	Overall Thickness (mm)	Overall Length – Open (mm)	Barcode	Carton Qty
322016	180mm x 7"	1.2	27	335	9300784058077	10

LASER TOOLS

Laser Distance Measurer Digital

- Professional distance measurer for simple, quick and precise distance reading with the push of a button
- Capable of measuring distance up to 70 metres
- Calculates volume/area, tracking and indirect height measurements
- Small, compact and lightweight design for easy transportation and storage
- Includes carry pouch with velcro
- Measures in metres, inches and feet
- Precision Class II laser is accurate to $\pm 1.5\text{mm}$
- Bright backlit LCD screen increases visibility and allows easy reading

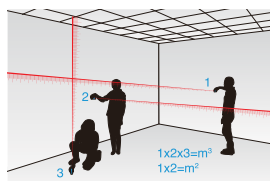
Part No.	322053
Barcode	9300784058251
Carton Qty	20

Specifications

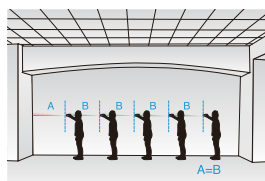
Accuracy	$\pm 1.5\text{mm}$
Auto Off	Laser - 30 sec. Unit - 180 sec.
Backlight	Yes
Battery Life	10,000 Measurements
Battery Type	2 x AA
Beam Size	25mm @ 30m
Dimensions	114 x 47 x 32mm
Laser Type	650nm, Class II <1mW
Measure Units	Metres / Inches / Feet
Measuring Speed	0.5 Seconds
Operation Temperature	-5°C to 40°C
Range	0.05 - 70 Metres
Resolution	0.001 Metres
Storage Temperature	-20°C - 60°C

Key Features & Functions

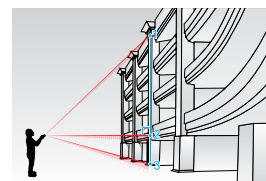
- 6 measuring applications
- Auto-Off
- Backlight
- LCD digital screen
- Variable measurement units
- Countdown mode
- Indirect measurements
- Velcro carry case
- Safety strap
- Batteries included



Area & Volume Measurement



Tracking Measurement



Indirect Height Measurement

Cross Laser Digital with Tripod & Case

- Suitable for all measuring and marking out work
- Intersecting horizontal and vertical lines at 90°
- “Tilt” mode for angular layout/marketing
- Strong folding legs for angle mounting and height adjustment up to 120cm
- Visual and audible “out of level” warning
- Legs fold closed against the unit to protect the laser while not in use
- Shock resistant rubber casing
- Includes protective belt pouch for laser and protective bag for tripod
- Suitable for: Hanging shelves, pictures and cabinets
Aligning tiles, borders, mouldings and trims
Building decks and other construction jobs



Specifications

Accuracy	0.2mm/m
Batteries Included	No
Beam Angle	120° ±5°
Laser Carry Case Included	Yes
Laser Line Width	2mm ±0.5mm/5m
Laser Range Indoor	30m
Laser Range Outdoor	50m (with detector)
Laser Type	Class II
Number of Laser Beams	2
Power Supply	3 AA Batteries
Self-Levelling Range	±5°
Tripod Carry Case Included	Yes
User Guide Included	Yes
Water & Dust Proof	IP54
Wavelength	635 ±5nm



Part No.	Tripod (m)	Laser	Output Power (mW)	Wavelength (nm)	Barcode	Carton Qty
322055	Up to 1.2	Class II	<1	630 - 660	9300784058053	6

Multi-Scan Stud Finder Digital

- Ideal tool for all electrical, plumbing, building and DIY household work
- Powerful inbuilt electronic sensors detect live AC wires, metal, studs and wood located behind gyprock and other common wall materials
- Differentiates between wood, metal and live wires
- Easy to read back lit LCD screen marks exact position
- Inbuilt detection buzzer
- Automatic scan function
- Detection depth range: Live AC wires - 75mm
Metal - 75mm
Wood - 18mm
Metal pipes - 38mm
Copper pipes - 30mm

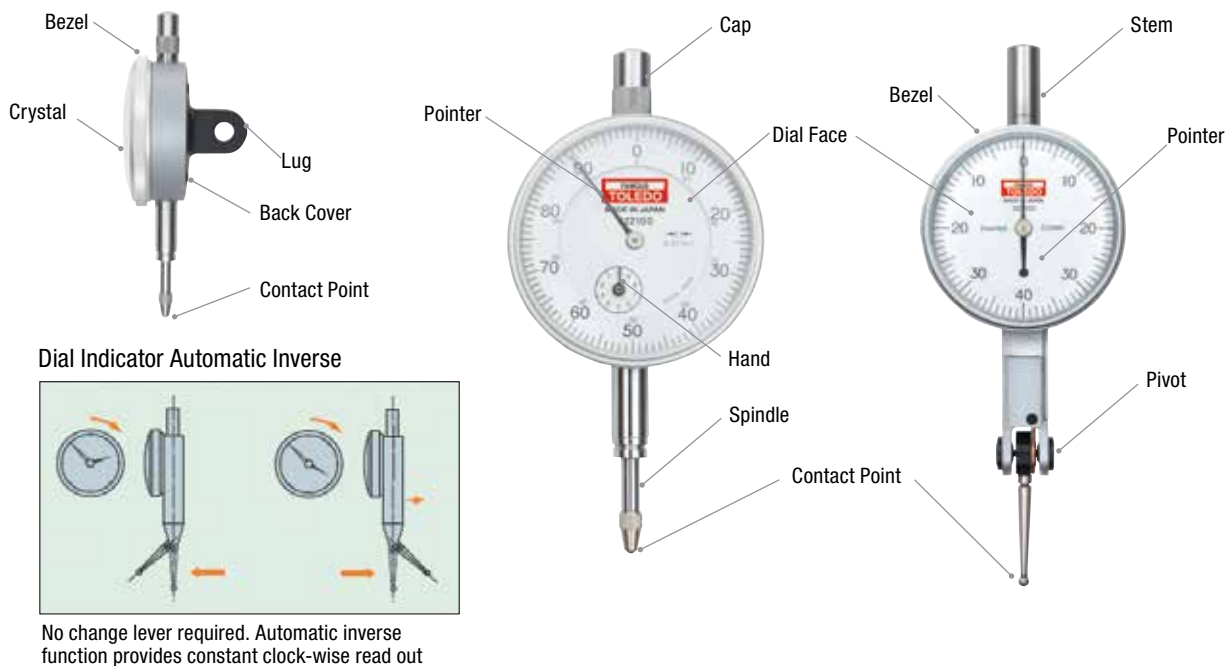


Part No.	Length (mm)	Width (mm)	Thickness (mm)	Barcode	Carton Qty
322054	160	68	30	9300784058046	10



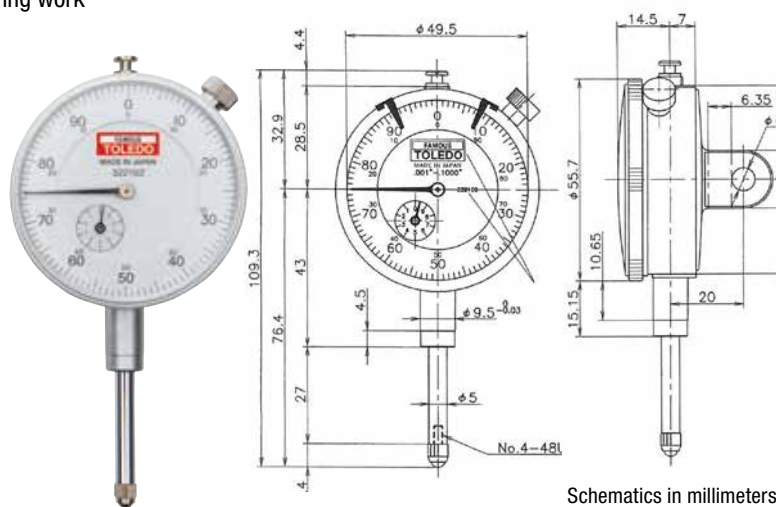
TOLEDO PRECISION SERIES

- Expert range of professional quality, function and accuracy
- 100% made in Japan using superior Japanese materials and workmanship
- Provided with calibration certificates and user guides
- Manufactured to Japanese Industrial Standard B 7503 (Metric Only)



Dial Gauge Analogue **IMPERIAL**

- High precision expert dial gauge for precision measuring work
- Waterproof and dustproof dial face features O-ring and additional internal housing sealing
- Shock-proof mechanism prevents damage to the internal gears if the spindle is pushed abruptly
- Hardened SK quenched steel stem is specially fastened to eliminate failure
- Superior quality spindle rack, pinions and gear trains ensure longevity
- Easy read design incorporates white dial face with black graduations and pointer needle
- Knurled bezel provides a firm and secure grip
- Meets applicable US federal specifications and conforms to American Gauge Design #2 (AGD #2) Specifications
- Made in Japan

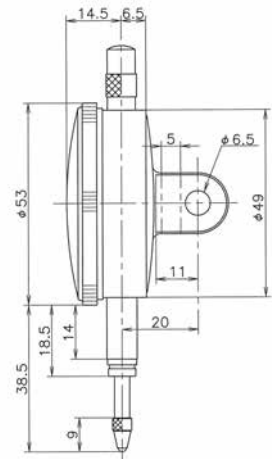
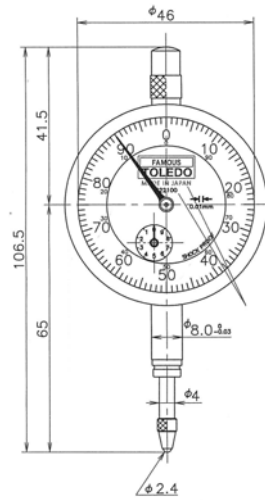


Part No.	Type	Graduation x Range (inch)	Reading	Wide Range Forward Accuracy	Retrace Error	Measuring Force (N)	Barcode
322102	Imperial	0.001 x 1"	±0 -50- 100	0.002"	0.0004"	< 2.0	9300784058107

MEASURING & PRECISION

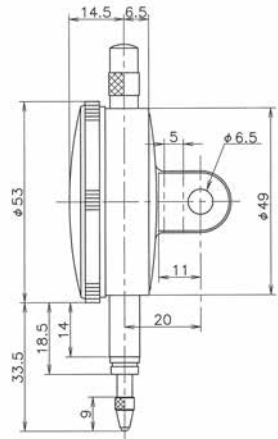
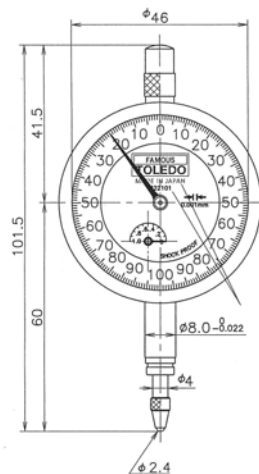
Dial Gauges Analogue METRIC

- High precision expert dial gauges for precision measuring work
- Dial face with O-ring and internal housing sealing ensures unit is waterproof and dustproof
- Shock-proof mechanism prevents damage to the internal gears if the spindle is pushed abruptly
- Hardened SK quenched steel stem with specialty fastening to eliminate failure
- Superior quality spindle rack, pinions and gear trains ensure longevity
- Easy read design incorporates white dial face with black graduations and pointer needle
- Knurled bezel provides a firm and secure grip
- Securely fitted back cover with four locking screws enables lug to rotate at 90° angles
- Manufactured to JIS B 7503
- Made in Japan



322100

Schematics in millimeters



322101

Schematics in millimeters

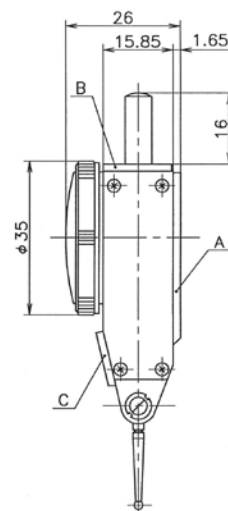
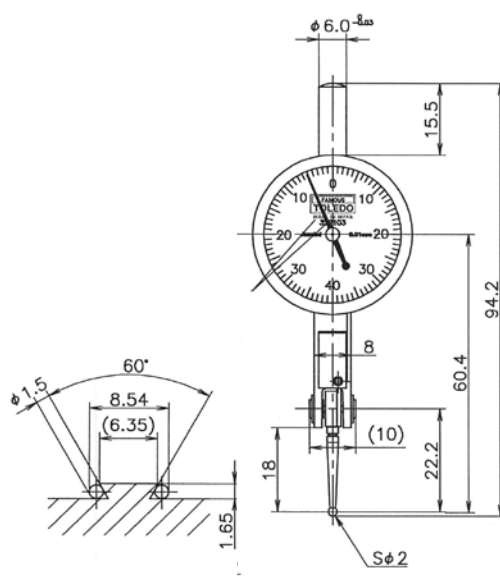


Part No.	Type	Graduation x Range (mm)	Reading	Indication error (µm)					Retrace Error (µm)	Repeatability (µm)	Measuring Force (N)	Barcode
				Revolutions				Full Measuring Range				
				1/10	1/2	One	Two					
322100	Metric	0.01 x 10	±0-50-100	6	±7	±8	±10	±10	4	5	< 1.4	9300784058084
322101	Metric	0.001 x 1	0 - 100 - 0	2	±2	±3	±3	±3	2	0.5	< 1.5	9300784058091



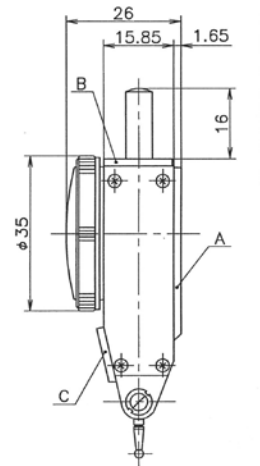
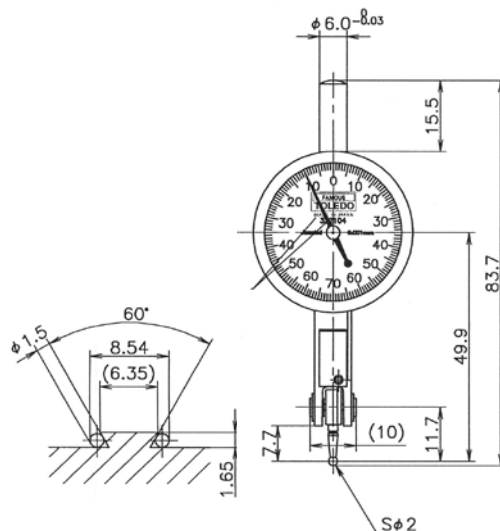
Dial Test Indicators Analogue METRIC

- High precision expert dial test indicators for precision measuring work
- Automatic needle pointer – inverts automatically with change of direction of the contact point to provide constant clock-wise readings and measuring efficiency and accuracy
- Miniature bearing at the pivot point optimises accuracy of micro adjustments and eliminates any rod play
- Waterproof and dustproof dial face features O-ring and additional internal housing sealing
- Superior quality spindle rack, pinions and gear trains ensure longevity
- Easy read design incorporates white dial face with black graduations and pointer needle
- Knurled bezel provides a firm and secure grip
- Manufactured to JIS B 7503
- Made in Japan



322103

Schematics in millimeters



322104

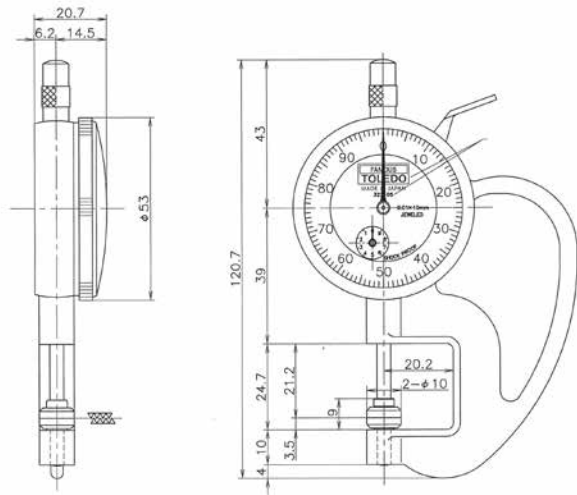
Schematics in millimeters



Part No.	Type	Graduation x Range (mm)	Reading	Accuracy (µm)			Measuring Force (N)	Barcode
				Wide Range Forward	Adjacent Error	Backward Error		
322103	Metric	0.01 x 0.8	0 - 40 - 0	8	5	3	< 0.3	9300784058114
322104	Metric	0.001 x 0.14	0 - 70 - 0	3	2	2	< 0.3	9300784058121

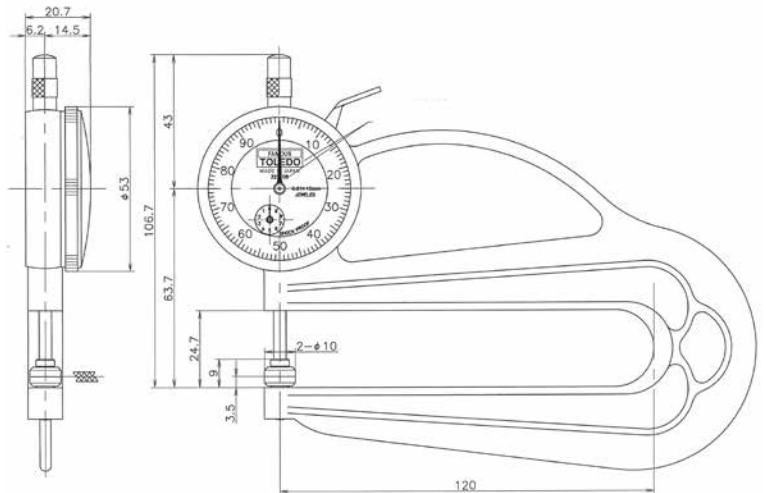
Thickness Gauges Lever Type **METRIC**

- High precision expert thickness gauges for precision measuring work
- Quick and accurate measurement of small dimensions
- Simple lever operation used to clamp onto object to be measured
- Ideal for measuring the thickness of small parts, metal, glass, plastic, rubber, vinyl, foil and other sheet material
- Ceramic body available in standard and deep throat depth
- Made in Japan



322105

Schematics in millimeters



322108

Schematics in millimeters



Part No.	Type	Graduation x Range (mm)	Throat Depth (mm)	Accuracy (µm)	Contact Point		Measuring Force (N)	Barcode
					Diameter (mm)	Parallelism (µm)		
322105	Metric - Standard	0.01 x 10	20	± 20	10	5	< 1.8	9300784058138
322108	Metric - Deep	0.01 x 10	120	± 20	10	5	< 1.8	9300784058145



Vernier Caliper 150mm **METRIC & IMPERIAL**

- High precision expert vernier caliper features metric and imperial graduations
- Ideal for taking precise Outer Diameter (O.D.), Inner Diameter (I.D.), Depth and Step measurements
- Features locking screw for firm fixation and micro adjustment sliding carriage
- Angled carriage is easy to read
- Hardened stainless steel with satin chrome finish
- Supplied in foam tray and wooden storage box



Part No.	Type	Range (mm/inch)	Graduation (mm)	Graduation (inch)	Barcode	Carton Qty
322201	Metric & Imperial	0 - 150/0 - 6"	0.05	1/128"	9300784058176	10

Vernier Caliper Digital 150mm **METRIC & IMPERIAL**

- High precision expert digital vernier caliper provides metric and imperial read outs
- Ideal for taking precise Outer Diameter (O.D.), Inner Diameter (I.D.), Depth and Step measurements
- Features locking screw for firm fixation and micro adjustment sliding carriage
- Hardened stainless steel with satin chrome finish
- Factory calibrated unit ready to use
- Supplied in foam tray and wooden storage box
- Battery included



Part No.	Type	Range (mm/inch)	Graduation (mm/inch)	Barcode	Carton Qty
322200	Digital Metric & Imperial	0-150/0-6"	0.01/0.0005"	9300784058169	10

Micrometers

- High precision micrometers for precision measuring work
- Robust C/U-Frame design with carbide tipped measuring faces and knurled thimble and ratchet knob
- Features positive locking level and ratchet stop
- Satin chromed sleeve and thimble for easy glare free reading
- Supplied with micro-spanner for fine adjustment
- Part No. 322206 supplied with calibrated 25mm gauge block
- Manufactured to GB/T 1216



322205 C-Frame



322206 U-Frame



Part No.	Graduation x Range (mm)	Force (N)	Barcode	Carton Qty
322205	0.01 x 0 - 25	5 - 10	9300784058206	50
322206	0.01 x 25 - 50	5 - 10	9300784058213	50

Magnetic Base 8mm

- Traditional piece of measuring equipment with 8mm diameter indicator/gauge mount hole
- Cast iron base with ON/OFF permanent magnetic function to provide shock free and vibration free measurement
- Dual pivot joints provide good versatility and functionality
- Fine adjustment clamp for micro measurement work
- Attach to flat or round surfaces and keep work in perfect alignment
- Ideal for use with milling machines, lathes etc.



Part No.	Mounting Hole Diameter (mm)	Barcode
322110	8.1	9300784058152



PRECISION SERIES WITH BLUETOOTH® WIRELESS TECHNOLOGY

- Precision Series with **Bluetooth®** wireless technology features built-in Bluetooth® Smart Data Transmission to enable direct data output to synchronised devices E.g. PC, Smart Phone, Tablet
- Eliminate human data taking errors with direct data transfer at the click of a button
- Increase productivity by reducing manual data taking
- Patented inductive measuring system is insensitive to magnetic fields and liquids on the sensor or on the measuring scale
- Patented software enables up to 16 unique instruments to be simultaneously synchronised with the same device. This enables multiple units to be set up on one project and deliver data simultaneously
- The Toledo software provides a platform to store, view and analyse data as well as export results into excel
- Toledo software and license is supplied on the USB Key dongle. This dongle details set up and directions for use
- Manufactured entirely in Switzerland



For further information use the QR codes or consult the Toledo website.

The Bluetooth® word mark and logos are registered trademarks owned by Bluetooth SIG, Inc., and any use of such marks by The Tridon Group is under license. Other trademarks and trade names are those of their respective owners

Definitions



Protected against liquids



Smart Inductive Sensor (S.I.S.) with an extremely low power sleeping mode, which keeps it's origin (last zero setting) and automatically wakes up when a movement is detected



Protected against liquids. The IPXX degree defines the protection rating according to IEC 60529.

IP54 : Protected against dust. Protected against water spray from all directions

IP65 : Completely sealed against dust, protected against water jets from all directions

IP67 : Completely sealed against dust, protected against temporary total immersion



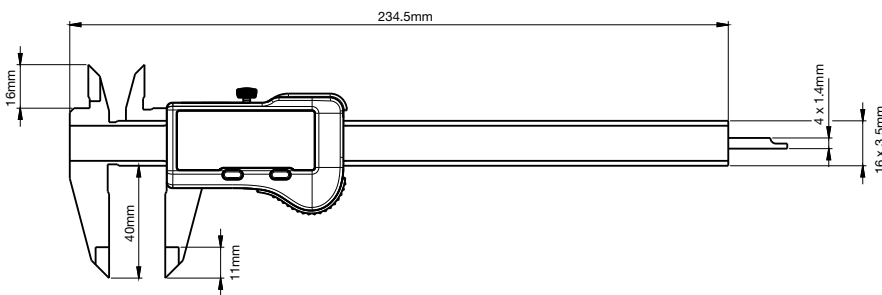
MEASURING & PRECISION

Toledo Bluetooth® Vernier Caliper Digital 150mm METRIC & IMPERIAL

- Integrated Bluetooth® Smart data transmission (Built in Bluetooth® v4.0 Transmitter)
- Extra-large and bright digital display
- Programmable button according to your needs
- Water protected for heavy-duty work with coolants and lubricants, protection rating IP67 according to IEC 60529
- Automatic wake-up by moving carriage
- Sleeping mode after 20 min. of no use
- Position memorised in sleeping mode
- Maximum speed of displacement : 2.5 m/sec
- Mechanical frame in stainless steel, hardened and grinded
- Great comfort of use thanks to ergonomic frame
- Supplied in heavy duty storage case with foam insert and firm locking clip
- Bluetooth® software sold separately
- Made in Switzerland



Scan for further information



Specifications

Max. Error (µm)	0-100: 20 >100: 30 (DIN 862)
Depth Rod (mm)	4 x 1.4
Protection rating (IEC 60529)	IP 67
Connection: Built-In Bluetooth®	v4.0
Smart Inductive Sensor (S.I.S.)	Yes



Part No.	Type	Range (mm/inch)	Resolution (mm/inch)	Barcode
322400	Digital Metric & Imperial	0-150/0-6"	0.01/0.0005"	9300784058268

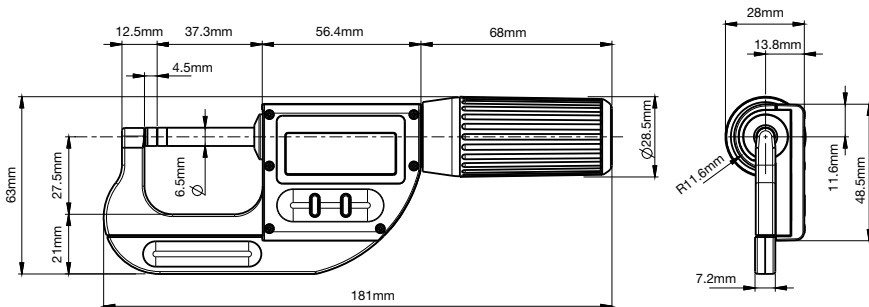
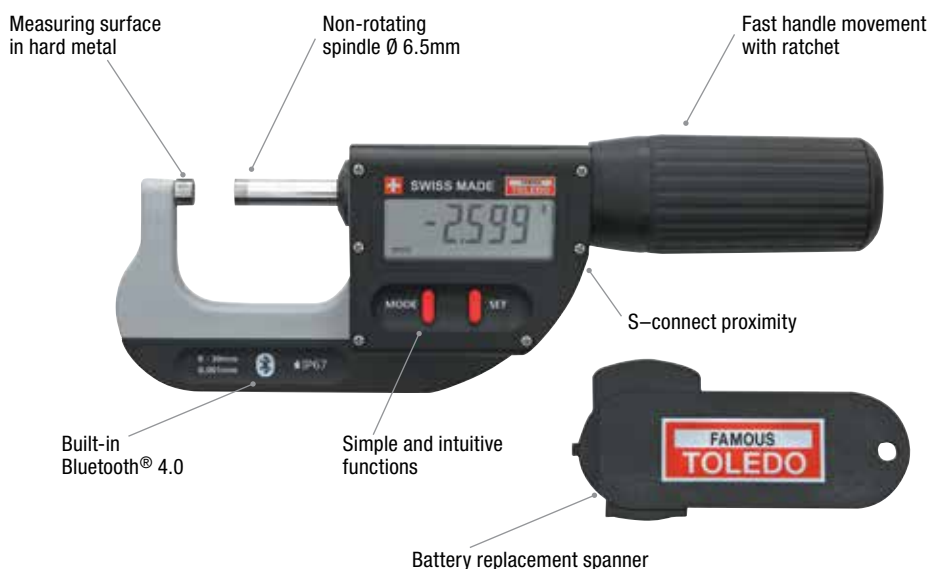


Toledo Bluetooth® Micrometer Digital 0-30mm METRIC & IMPERIAL

- Integrated Bluetooth® Smart data transmission (Built in Bluetooth® v4.0 Transmitter)
- Automatic wake-up by moving the measuring spindle
- Sleeping mode after 20 min. of no use
- Position memorised in sleeping mode
- Water protected for heavy-duty work with coolants and lubricants, protection rating IP67 according to IEC 60529
- Quick displacement of the measuring spindle 12 mm / rotation
- Adjustable measuring force 5N / 10N
- Thimble in polyacetal-copolymer
- Supplied in heavy duty storage case with foam insert and firm locking clip
- Bluetooth® software sold separately
- Made in Switzerland



Scan for further information



Specifications

Max. Error (µm)	3 (DIN 863)
Repeatability (µm)	1
Anvils (mm)	Ø6.5
Protection rating (IEC 60529)	IP 67
Connection: Built-In Bluetooth®	v4.0
Smart Inductive Sensor (S.I.S.)	Yes
Adjustable Measuring Force	5N/10N
Setting by PC	Yes
Non-Rotating Spindle	Yes
Fast Movement	Yes



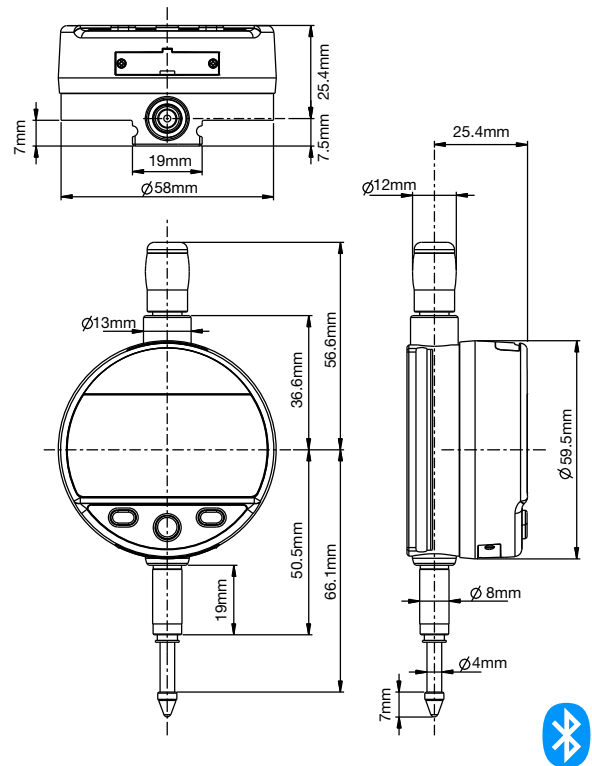
Part No.	Type	Range (mm/inch)	Resolution (mm/inch)	Barcode
322401	Digital Metric & Imperial	0-30/0-1.2"	0.001/0.0001"	9300784058275

Toledo Bluetooth® Dial Indicators Digital METRIC & IMPERIAL

- Integrated Bluetooth® Smart data transmission (Built in Bluetooth® v4.0 Transmitter)
- Robust construction
- Water and coolant resistant
- New technology with configurable menus
- Broad choice of functions (MIN/MAX/DELTA, TOL, Factor, PRESET, AUTO OFF, etc.)
- Automatic wake-up and sleeping mode
- Maximum error of 3 µm
- Supplied in heavy duty storage case with foam insert and firm locking clip
- Bluetooth® software sold separately
- Made in Switzerland



Scan for further information



Specifications

Max. Error (µm)	0-100: 20 >100: 30 (DIN 862)
Depth Rod (mm)	4 x 1.4
Protection rating (IEC 60529)	IP 67
Connection: Built-In Bluetooth®	v4.0
Smart Inductive Sensor (S.I.S.)	Yes



Part No.	Type	Range (mm/inch)	Resolution (mm/inch)	Barcode
322402	Digital Metric & Imperial	0-12.5/0-1/2"	0.001/0.0001"	9300784058282
322403	Digital Metric & Imperial	0-12.5/0-1/2"	0.0001/0.00001"	9300784058299



Toledo Bluetooth® Software

To enable Bluetooth® wireless connectivity between instrument and device, software installation and receiving dongle is required. The basic version enables one precision tool to be connected at one time, the full version enables 16 unique precision tools to be connected.

Note - One dongle is required per 8 precision tools. To use 16 precision tools simultaneously with the full software version it will require two dongles. Compatible with precision instruments 322400, 322401, 322402, 322403



322404 Basic Version Software (receiving dongle and CD)

- Enables 1 instrument to be synchronised
- Includes dongle and free software installation CD

322405 Full Version Software (does not include receiving dongle)

- Enables up to 16 instruments to be synchronised simultaneously
- Includes security protected USB Key with full software version
- Does not include receiving dongle (Part No. 322404 required)
- One dongle per 8 instruments



322404



322405

Part No.	Description	Barcode
322404	Basic Version - Receiving Dongle & Software CD	9300784058565
322405	Full Version - Installation USB Key with Software	9300784058305

MERCHANDISERS

Rule Merchandisers

- Attractive and space smart POS displays with adjustable width mounting brackets to suit all peg board or slat wall store racking
- Featuring famous Japanese made Toledo single and double sided stainless steel rules and straight edge aluminium rules
- Stainless steel rules feature photographically etched markings and meet Grade 1 Japanese Industrial Standard (JIS) B 7516
- Made in Japan
- Two options available
- Size: 1200H x 450W (mm)

Part No.	Description	Barcode
NTMM01	Toledo Measuring Merchandiser Option 1 - 38 Pc	9300784055762

Contents

Part No.	Description	Qty
150BM	Stainless Steel Rule Single Sided Metric - 150mm	5
301956	Stainless Steel Easy Pick-Up Rule Single Sided Metric - 150mm	3
150SP	Stainless Steel Rule Double Sided Metric - 150mm	5
150B6	Stainless Steel Rule Double Sided Metric & Imperial - 150mm	5
300M	Stainless Steel Rule Single Sided Metric - 300mm	3
300SP	Stainless Steel Rule Double Sided Metric - 300mm	3
30012	Stainless Steel Rule Double Sided Metric & Imperial - 300mm/12"	3
600M	Stainless Steel Rule Single Sided Metric - 600mm	3
60024	Stainless Steel Rule Double Sided Metric & Imperial - 600mm/24"	3
1000M	Stainless Steel Rule Single Sided Metric - 1000mm	2
100036	Stainless Steel Rule Double Sided Metric & Imperial - 1000mm/36"	2
SE1000	Aluminium Straight Edge Rule Single Sided Metric - 1000mm	1

Part No.	Description	Barcode
NTMM02	Toledo Measuring Merchandiser Option 2 - 61 Pc	9300784055779

Contents

Part No.	Description	Qty
150BM	Stainless Steel Rule Single Sided Metric - 150mm	5
150A6	Stainless Steel Rule Single Sided Metric & Imperial - 150mm	5
301956	Stainless Steel Easy Pick-Up Rule Single Sided Metric - 150mm	5
150SP	Stainless Steel Rule Double Sided Metric - 150mm	5
150B6	Stainless Steel Rule Double Sided Metric & Imperial - 150mm	5
ST150ME6	Stainless Steel Rule Double Sided Metric & Imperial - 150mm	5
300M	Stainless Steel Rule Single Sided Metric - 300mm	3
300SP	Stainless Steel Rule Double Sided Metric - 300mm	3
30012	Stainless Steel Rule Double Sided Metric & Imperial - 300mm	3
ST300ME12	Stainless Steel Rule Double Sided Metric & Imperial - 300mm	3
301957	Stainless Steel Easy Pick-Up Rule Single Sided Metric - 300mm	3
600M	Stainless Steel Single Sided Rule Metric - 600mm	3
60024	Stainless Steel Rule Double Sided Metric & Imperial - 600mm	3
321901	Stainless Steel Flexible Rule Single Sided Metric - 600mm	2
600FM	Stainless Steel Folding Rule Single Sided Metric - 600mm	3
1000M	Stainless Steel Rule Single Sided Metric - 1000mm	2
100036	Stainless Steel Rule Double Sided Metric & Imperial - 1000mm	2
SE1000	Aluminium Straight Edge Rule Single Sided Metric - 1000mm	1





Caliper & Divider Merchandiser

- Attractive and space smart POS display with adjustable width mounting brackets to suit all peg board or slat wall store racking
- Featuring famous Japanese made Toledo calipers and dividers
- Single tier dual backing board
- Made in Japan
- Size: 1100H x 450W (mm)

Part No.	Description	Barcode
NTMD01	Caliper & Divider Merchandiser	9300784056684
Contents		
Part No.	Description	Qty
54100	Inside Caliper - Quick Acting Nut 100mm	2
54250	Inside Caliper - Quick Acting Nut 250mm	3
54300	Inside Caliper - Quick Acting Nut 300mm	3
55100	Outside Caliper - Quick Acting Nut 100mm	2
55250	Outside Caliper - Quick Acting Nut 250mm	3
55300	Outside Caliper - Quick Acting Nut 300mm	3
53100	Spring Divider - Quick Acting Nut 100mm	2
53200	Spring Divider - Quick Acting Nut 200mm	3
53250	Spring Divider - Quick Acting Nut 250mm	3



Measuring Tape Merchandiser

- Features 8 measuring tapes in a handy counter top display (disposable)
- Size: 230H x 200W x 300D (mm)

Part No.	Description	Barcode
TMT01	Measuring Tape Merchandiser 8 Pc.	9300784054895
Contents		
Part No.	Description	Qty
321906	Metric Steel Wide Blade 33mm x 8m	4
321907	Metric Steel Wide Blade Magnetic Hook 32mm x 8m/27Ft	4



Box Level Merchandiser

- Attractive and space smart POS display with adjustable width mounting brackets to suit all peg board or slat wall store racking
- Featuring selection of popular magnetic box levels and digital magnetic box levels
- Size: 1400H x 450W (mm)

Part No.	Description	Barcode
NTMM08	Magnetic Box Level Merchandiser 9 Pc.	9300784059180
Contents		
Part No.	Description	Qty
322060	Magnetic Box Level 600mm	3
322090	Magnetic Box Level 900mm	1
322120	Magnetic Box Level 1200mm	3
322050	Digital Magnetic Box Level 600mm	1
322051	Digital Magnetic Box Level 1200mm	1





Cutting Rule Merchandiser

- Attractive and space smart POS display with adjustable width mounting brackets to suit all peg board or slat wall store racking
- Featuring full range of aluminium cutting rules
- Size: 1400H x 450W (mm)

Part No.	Description	Barcode
NTMM09	Aluminium Cutting Rule Merchandiser 15 Pc.	9300784059197
Contents		
Part No.	Description	Qty
322001	Aluminium Cutting Rule 500mm	3
322002	Aluminium Cutting Rule 600mm	3
322003	Aluminium Cutting Rule 800mm	3
322004	Aluminium Cutting Rule 1000mm	3
322005	Aluminium Cutting Rule 1200mm	3



Exacta-Post Level Countertop Merchandiser

- Contains 6 Exacta Post Levels (Part No. 322012) in handy countertop display
- Dimensions: 220W x 200D x 90H (mm)



Part No.	Description	Barcode
NTMM05	Exacta-Post Countertop Merchandiser 6 Pc.	9300784058749

Mini Magnetic Level Countertop Merchandiser

- Contains 10 Mini Magnetic Levels (Part No. 322013) in handy pull out countertop display or hang sell
- Dimensions: 140W x 120D x 210H (mm)



Part No.	Description	Barcode
NTMM06	Mini Magnetic Level 100mm Countertop Merchandiser 10 Pc.	9300784058756

Magnetic Torpedo Level Countertop Merchandiser

- Contains 12 Magnetic Torpedo Levels (Part No. 322010) in a handy countertop display
- Dimensions: 300W x 240D x 50H (mm)



Part No.	Description	Barcode
NTMM07	Magnetic Torpedo Countertop 250mm Merchandiser 12 Pc.	9300784058763



ALPHABETICAL INDEX

Description	Page
Aluminium Rules	9-10
Bluetooth® Instruments	35-39
Bluetooth® Software	39
Box Level Merchandiser	42
Box Levels	23-24
Bulls Eye Level	26
Caliper & Divider Merchandiser	41
Calipers	21-23
Calipers & Dividers	21-23
Carpenters Squares	13
Chalk Line	20
Circular Saw Guide	16
Clip-On Levels	25
Combination Squares	15
Counter Top Merchandisers	44
Crack Size Gauge	18
Cross Laser	28
Cross Level	26
Cutting Rules	10, 43
Dial Gauges	29-30, 38
Dial Indicators	31
Diameter Scales	19
Digital Levels	24
Digital Tools	24, 27-28, 33, 35-39
Distance Measurer	27
Dividers	22
Easy Pick-Up Rules	4
Engineer's Squares	13
Exacta-Post Level	25
Fibreglass Rules	11-12
Firm Joint Calipers	22
Fixed Joint Caliper	23
Flexible Rules	4
Folding Rules	11
Framing Square	13
Guide Squares	16
Imperial Rules	6-8
Inside Calipers	21-22
Jenny Caliper	23
Laser Distance Measurer	27
Laser Tools	28-29
Level Merchandisers	42, 44
Levels	23-27
Line Level	26
Long Tapes	12
Magnetic Base	34
Magnetic Box Levels	23-24

Description	Page
Magnetic Cross Level	26
Magnetic Mini Level	25
Magnetic Post Level	25, 44
Magnetic Torpedo Level	24, 44
Measuring Sets	8-9
Measuring Tapes	12, 41
Measuring Wheel	20
Merchandising	40-44
Metric Rules	3-8
Micrometers	34, 37
Mini Bulls Eye Level	26
Mini Cross Level	26
Mini Level Merchandisers	44
Mini Levels	24-27, 44
Mini Squares	14
Multi-Scan Stud Finder	28
Outside Calipers	21-22
Pick-Up Rules	4
Pipe Levels	25
Pocket Balances	19
Post Level	25, 44
Protractor	18
Quick Acting Nut Calipers	21
Quick Acting Nut Dividers	22
Radius Scales	19
Rafter Squares	16
Rule Set	8
Rule Stops	8
Rules	3-8
Rule Merchandisers	40
Scanner	28
Solid Nut Calipers	21
Solid Nut Dividers	22
Spring Dividers	22
Spring Scales	19
Squares	13-17
Stainless Steel Rules	3-8
Stainless Steel Squares	13-15
Straight Edges	9-10
Stud Finder	28
Tape Measures	12, 41
Taper Gauges	17
T-Bevel	27
Thickness Gauges	32
Torpedo Levels	24, 44
T-Squares	17
Vernier Calipers	33, 36



For further information contact Tridon Customer Service:

AUSTRALIA

Phone: 1300 362 263
Fax: 1300 656 006
Email: sales@tridon.com.au
tridon.com.au

New South Wales

Head Office
21 Derby Street
Silverwater NSW 2128

Victoria

1/11 Brough Street
Springvale VIC 3171

Queensland

90 Old Toombul Road
Northgate QLD 4013

Townsville

1/44-46 Carmel Street
Garbutt QLD 4814

South Australia

729B Port Road
Woodville SA 5011

Western Australia

1/1 President Street
Welshpool WA 6106

Tasmania

77 Howick Street
Launceston TAS 7250

NEW ZEALAND

Phone: 0508 874 366
Fax: 0800 943 480
Email: sales@tridon.co.nz
tridon.co.nz

Auckland

3 Tiri Place
Mt Wellington
Auckland 1060

Christchurch

2/200 Annex Road
Middleton
Christchurch 8024

