

Heavy Duty Torque Wrench

800550 | Adjusting the Torque Settings

Features dual torque adjusting bolts located in the handle of the torque wrench.

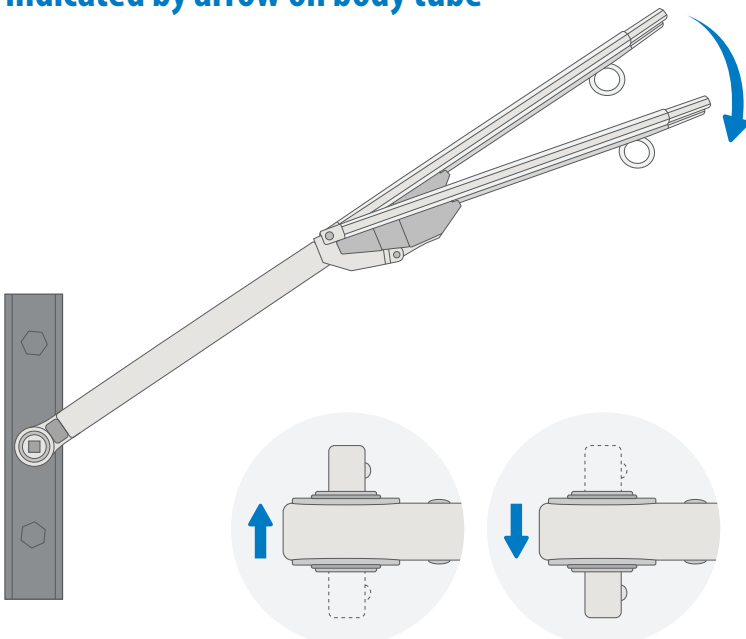
Unique profiled cam and reaction plate provides an unmistakable signal that can be seen and felt which reduces the possibility of over torquing.

To Set Torque

1. Adjust both torque bolts to the desired torque value
2. Values can be applied in Nm or Lbf. ft.
3. Ensure the required torque settings are aligned with the end of the torque wrench handle



Pull smoothly on the handle in the direction indicated by arrow on body tube



Never misalign the torque bolts



Misalignment will result in the incorrect values being applied and may lead to damage of the torque wrench

